

## 1. MATERIALS & FINISHES

- A. BRAKE-FORMED THRESHOLDS TO BE FORMED FROM 16 GA STAINLESS STEEL (TYPE 304 OR 316) OR .060" THICK BRONZE (#280 MUNTZ METAL OR #464 NAVAL BRASS).
- B. ALL BREAK-FORMED THRESHOLDS COME STANDARD WITH #4 SATIN FINISH WITH THE GRAIN RUNNING LENGTHWISE OF THE THRESHOLD (CONSULT FACTORY FOR CUSTOM AVAILABLE FINISHES).
- C.  $\frac{1}{2}$ " HIGH BRAKE-FORMED THRESHOLDS SHALL RECEIVE BRAKE-FORMED CHANNEL REINFORCEMENTS WHILE  $\frac{1}{4}$ " HIGH THRESHOLDS WILL RECEIVE  $\frac{3}{16}$ " X  $\frac{3}{4}$ " ALUMINUM BAR REINFORCEMENTS. ALL REINFORCEMENTS SHALL BE DOUBLE FACED TAPED TO THE UNDERSIDE OF THE THRESHOLD USING 3M DOUBLE FACED TAPE.
- D. PLATE THRESHOLDS CAN BE FABRICATED FROM STAINLESS STEEL, BRONZE, OR ALUMINUM AND ARE AVAILABLE IN SEVERAL HEIGHT / DEPTH CONFIGURATIONS - CONTACT THE FACTORY.

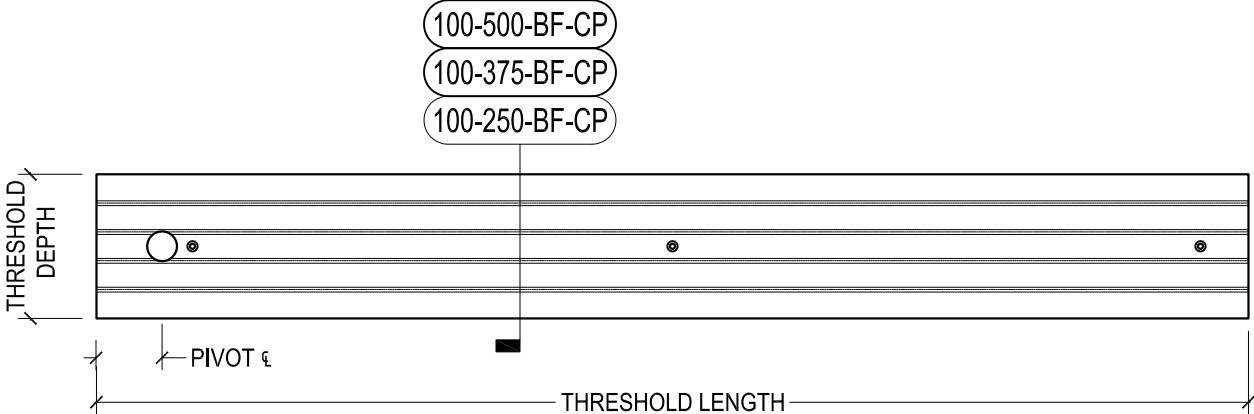
## 2. STANDARD DIMENSIONS

- A. BRAKE-FORMED THRESHOLDS ARE MANUFACTURED TO THE DEPTH OF THE FRAME UNLESS OTHERWISE SPECIFIED. CONSULT FACTORY FOR CUSTOM THRESHOLD REQUIREMENTS.
- B. DAWSON THRESHOLDS ARE MANUFACTURED TO FIT WITHIN THE DOOR OPENING UNLESS OTHERWISE SPECIFIED. DAWSON CAN PROVIDE RETURNED CLOSED ENDS FOR THRESHOLDS DEEPER THAN THE FRAME TO COVER OPEN ENDS. CONSULT FACTORY FOR CUSTOM THRESHOLD REQUIREMENTS.
- C. DAWSON STANDARD THRESHOLD HEIGHT IS  $\frac{1}{2}$ " HIGH, WITH ENDS SLOPED TO MEET ADA GUIDELINES OF 2:1 UNLESS OTHERWISE SPECIFIED. CONSULT FACTORY FOR CUSTOM THRESHOLD REQUIREMENTS.
- D. HARDWARE PREPS SHOWN IN THE FOLLOWING DRAWINGS ARE ONLY EXAMPLES AND MAY NOT BE REPRESENTATIVE TO SPECIFIC PROJECT REQUIREMENTS. DAWSON CAN PROVIDE PREPARATIONS FOR ALL FLOOR CLOSERS AND IN-FLOOR OPERATORS.



DRAWN BY:	JBL	DRAWING DATE:	12/3/19
SERIES #:	----	DRAWING #:	NOTES 1
DESCRIPTION:	GENERAL NOTES FOR DAWSON THRESHOLDS		

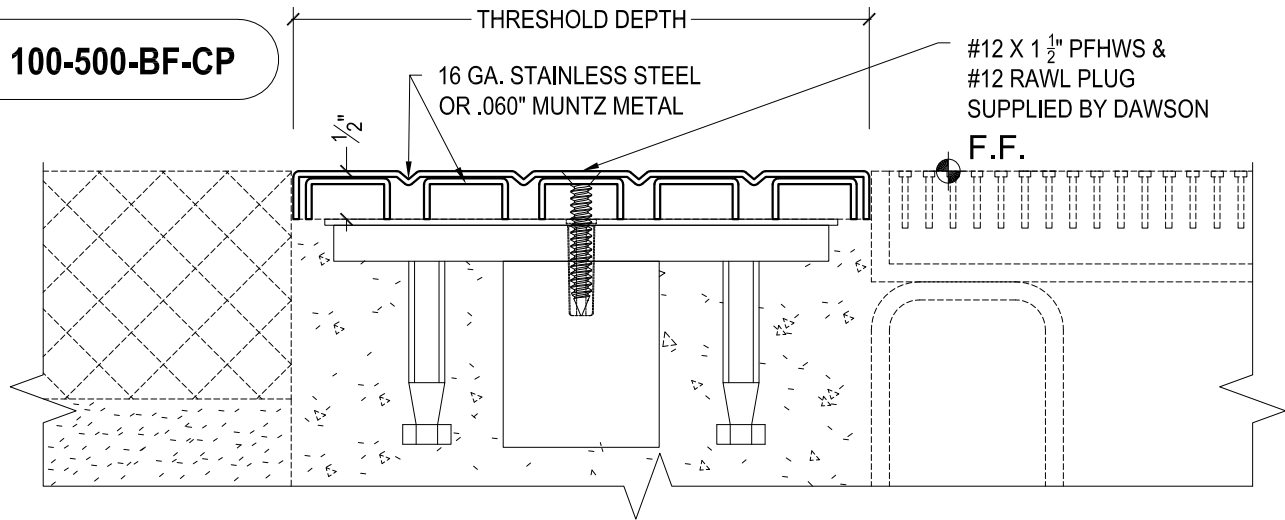
# #100 SERIES THRESHOLDS



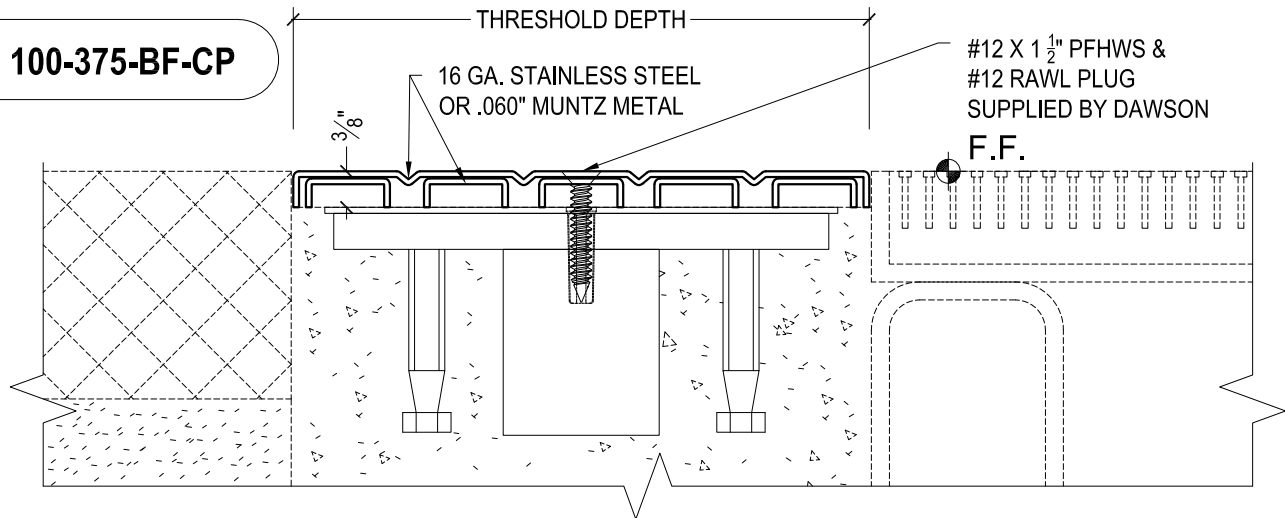
825 ALLEN ST • JAMESTOWN, NY 14701 • (716) 664-3811 • WWW.DAWSONDOORS.COM

DRAWN BY:	JBL	DRAWING DATE:	12/3/19
SERIES #:	#100-BF-CP	DRAWING #:	100-CP
DESCRIPTION:	PLAN VIEW FOR 100 BRAKE-FORMED - CENTER PIVOT		

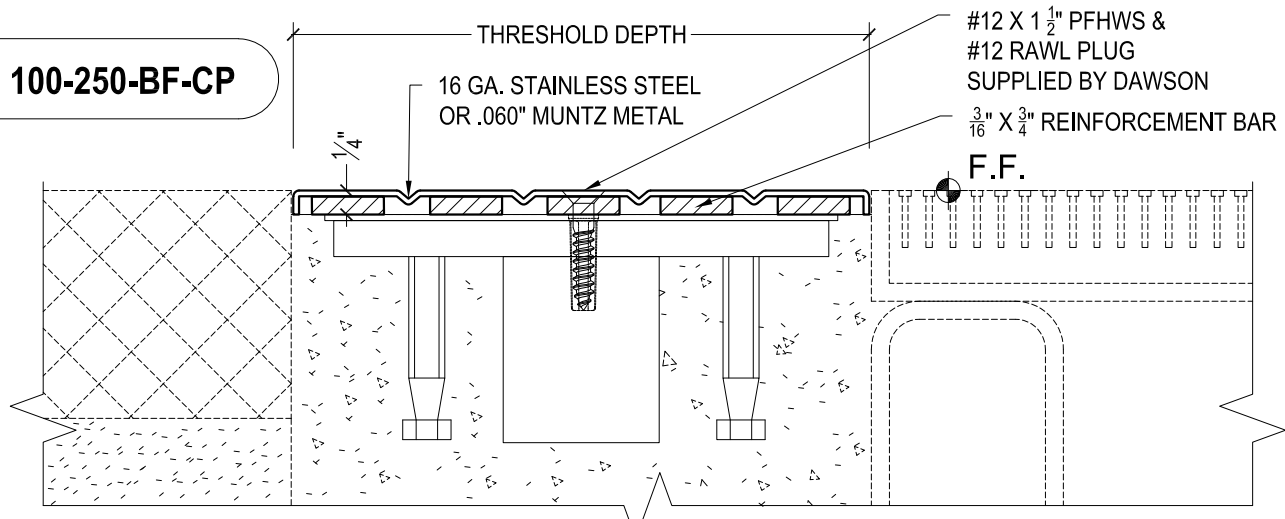
**100-500-BF-CP**



**100-375-BF-CP**

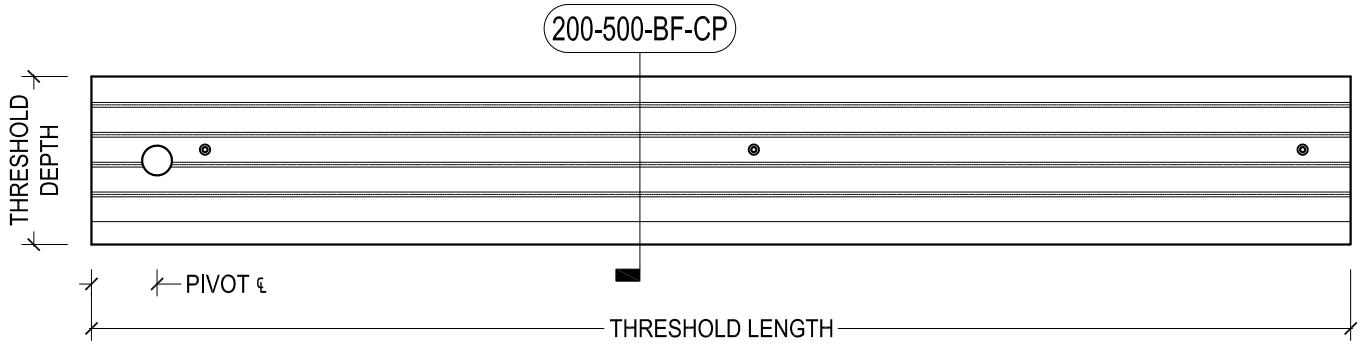


**100-250-BF-CP**

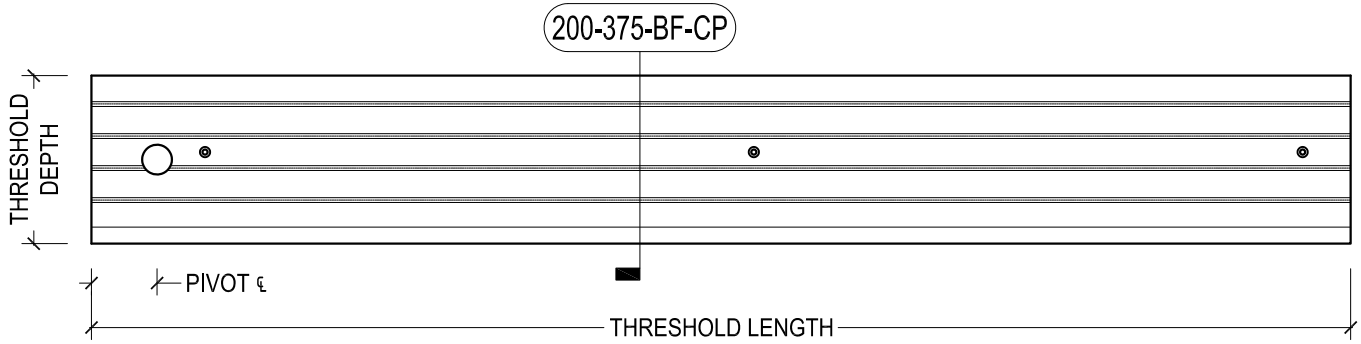


DRAWN BY:	JBL	DRAWING DATE:	12/3/19
SERIES #:	#100-BF-CP	DRAWING #:	100-CP DETAILS
DESCRIPTION:	DETAILS FOR 100-500-BF, 100-375-BF, 100-250-BF		

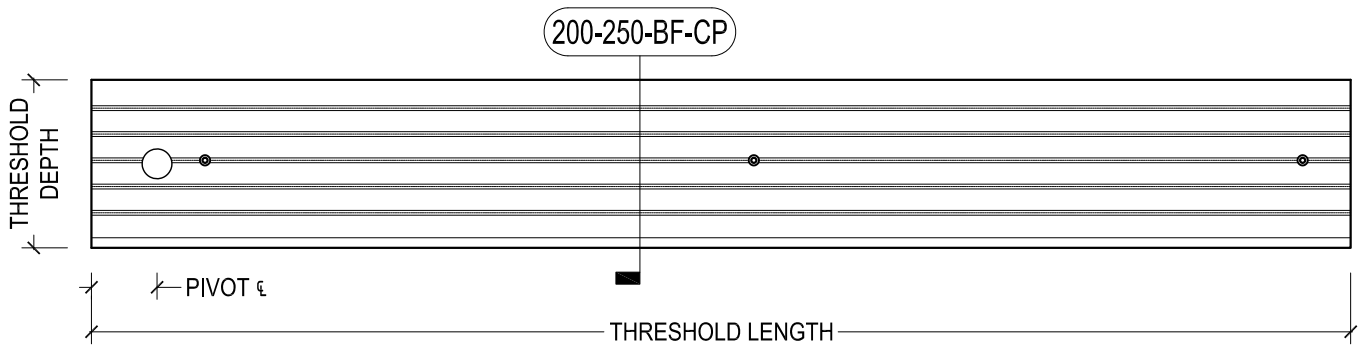
## #200 SERIES $\frac{1}{2}$ " TALL THRESHOLD



## #200 SERIES $\frac{3}{8}$ " TALL THRESHOLD



## #200 SERIES $\frac{1}{4}$ " TALL THRESHOLD

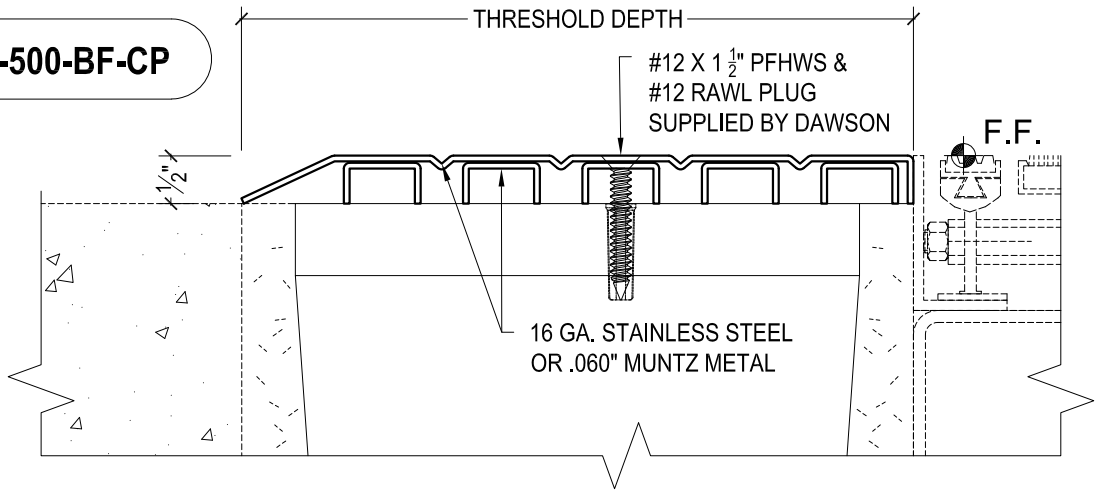


**DAWSON DOORS**

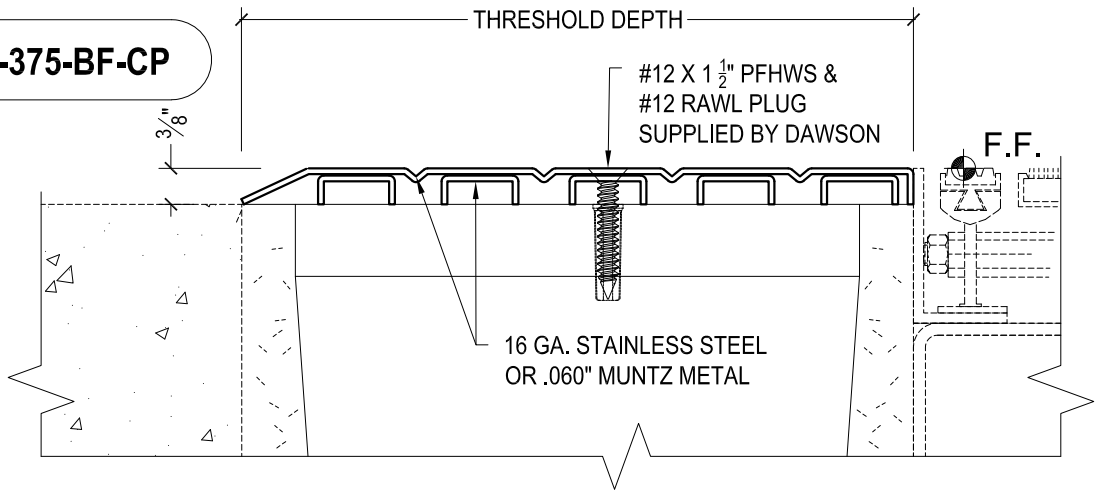
825 ALLEN ST • JAMESTOWN, NY 14701 • (716) 664-3811 • WWW.DAWSONDOORS.COM

DRAWN BY:	JBL	DRAWING DATE:	12/3/19
SERIES #:	#200-BF-CP	DRAWING #:	200-CP
DESCRIPTION:	PLAN VIEW FOR 200 BRAKE-FORMED - CENTER PIVOT		

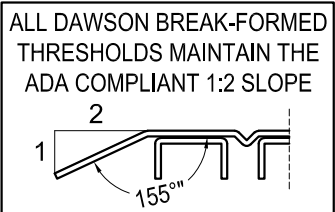
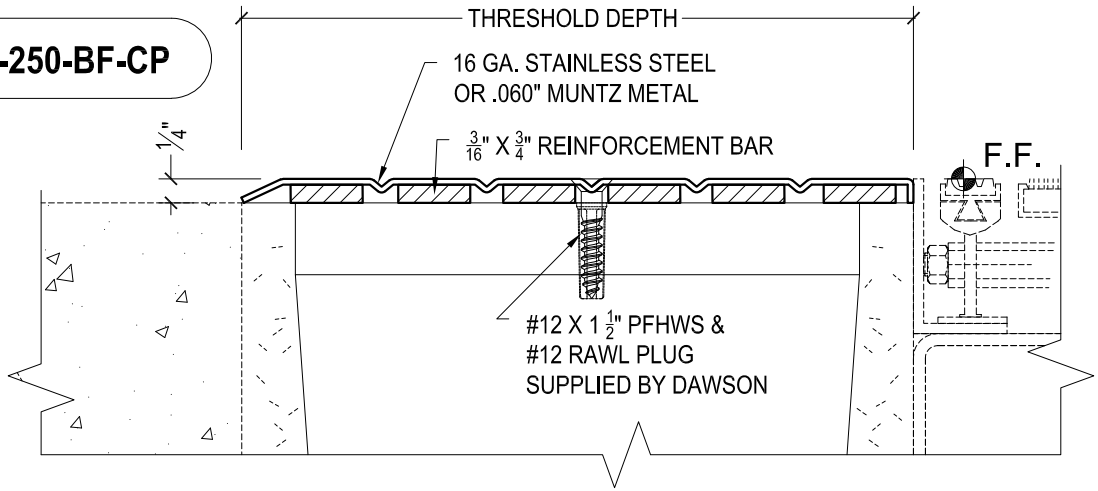
**200-500-BF-CP**



**200-375-BF-CP**



**200-250-BF-CP**

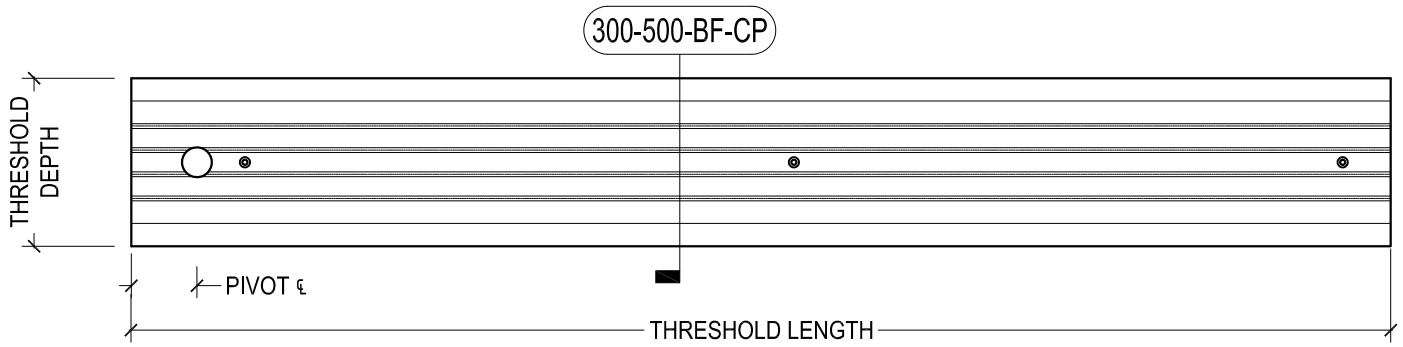


**DAWSON DOORS**

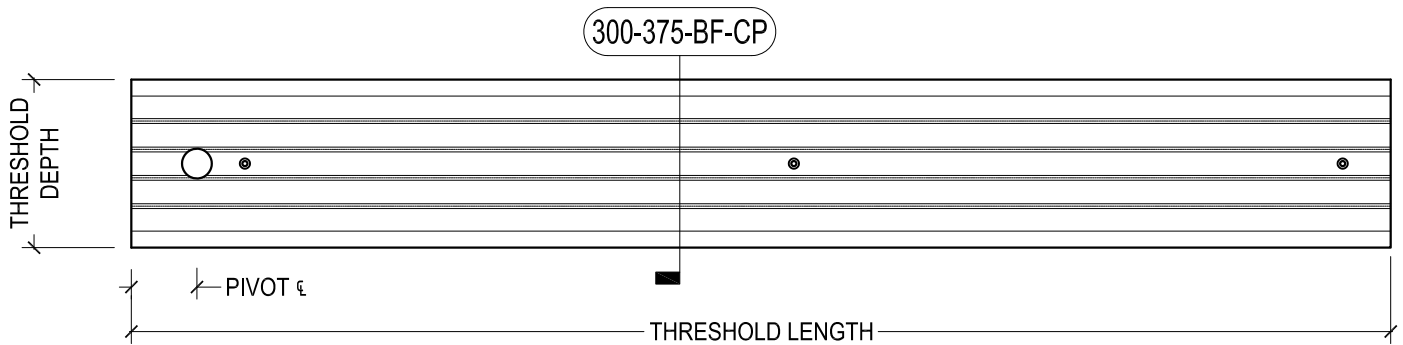
825 ALLEN ST • JAMESTOWN, NY 14701 • (716) 664-3811 • WWW.DAWSONDOORS.COM

DRAWN BY:	JBL	DRAWING DATE:	12/3/19
SERIES #:	#200-BF-CP	DRAWING #:	200-CP DETAILS
DESCRIPTION:	DETAILS FOR 200-500-BF-CP, 200-375-BF-CP, 200-250-BF-CP		

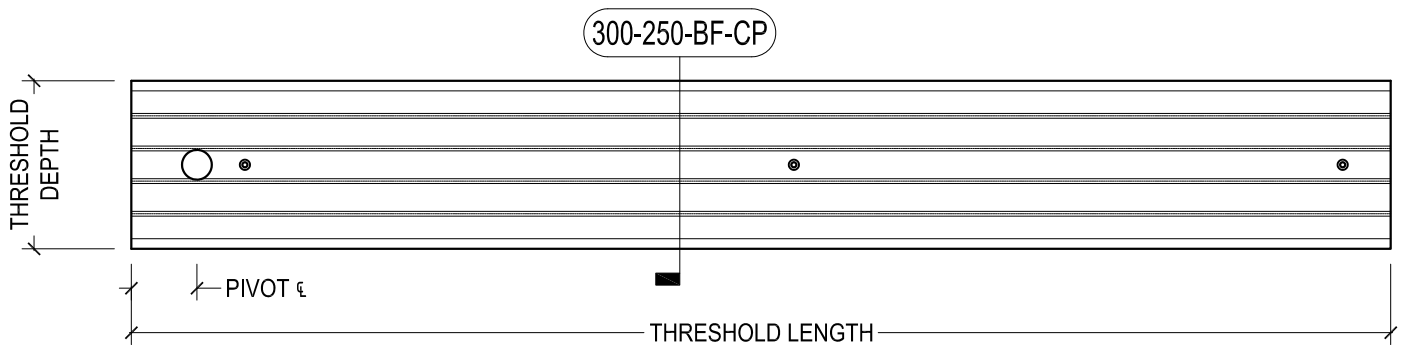
## #300 SERIES $\frac{1}{2}$ " TALL THRESHOLD



## #300 SERIES $\frac{3}{8}$ " TALL THRESHOLD



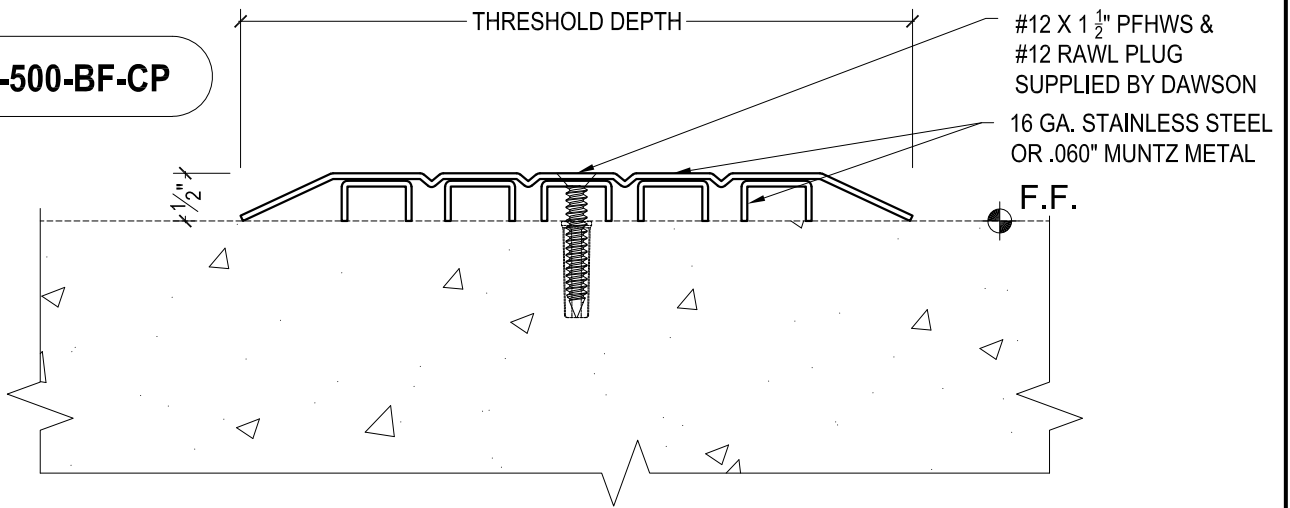
## #300 SERIES $\frac{1}{4}$ " TALL THRESHOLD



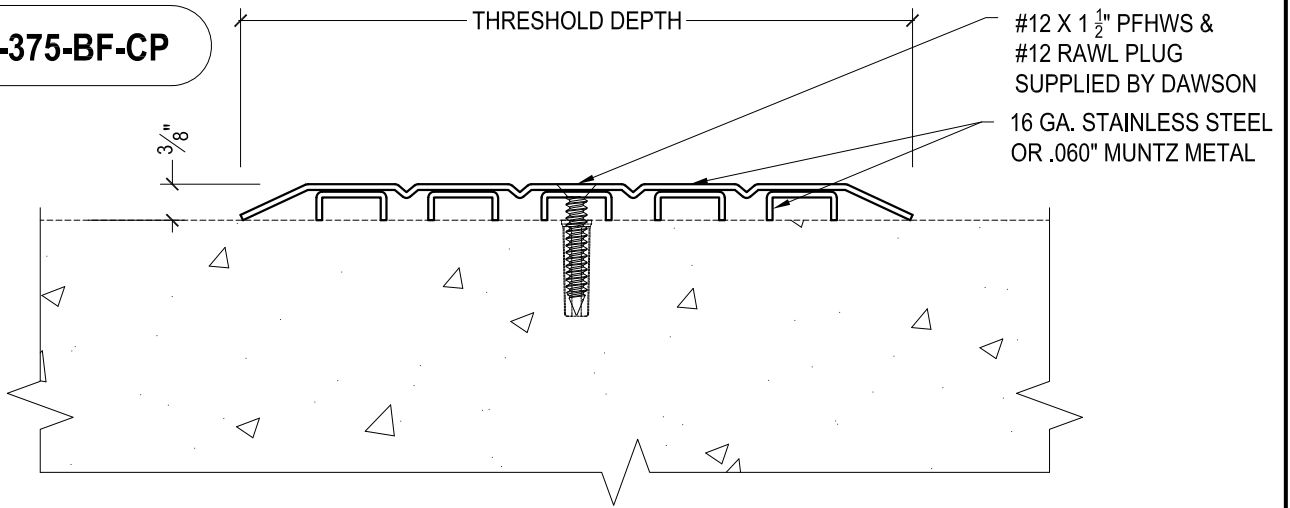
**DAWSON DOORS**

DRAWN BY:	JBL	DRAWING DATE:	12/3/19
SERIES #:	#300-BF-CP	DRAWING #:	300-CP
DESCRIPTION:	PLAN VIEW FOR 300 BRAKE-FORMED - CENTER PIVOT		

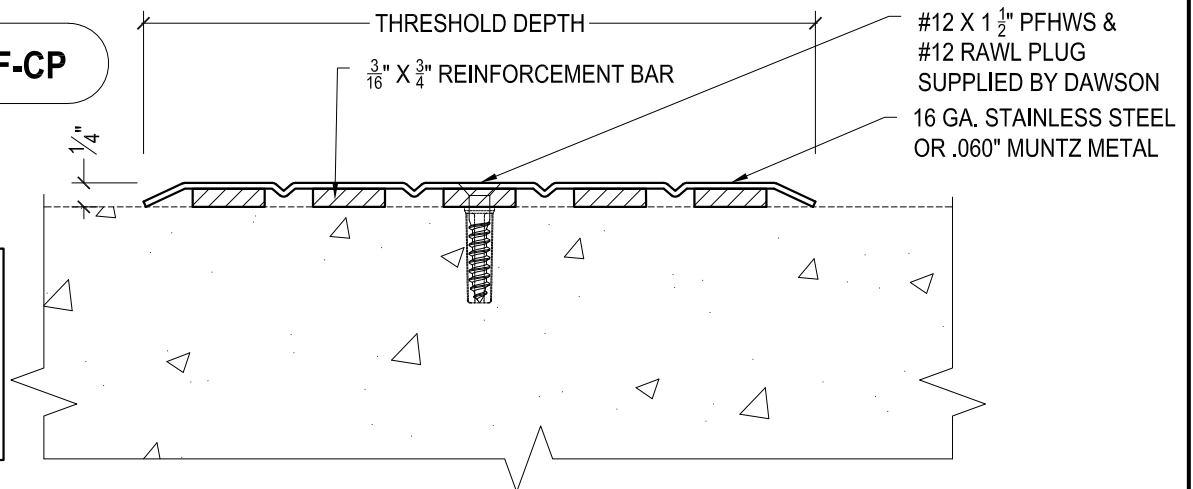
**300-500-BF-CP**



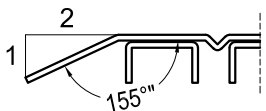
**300-375-BF-CP**



**300-250-BF-CP**



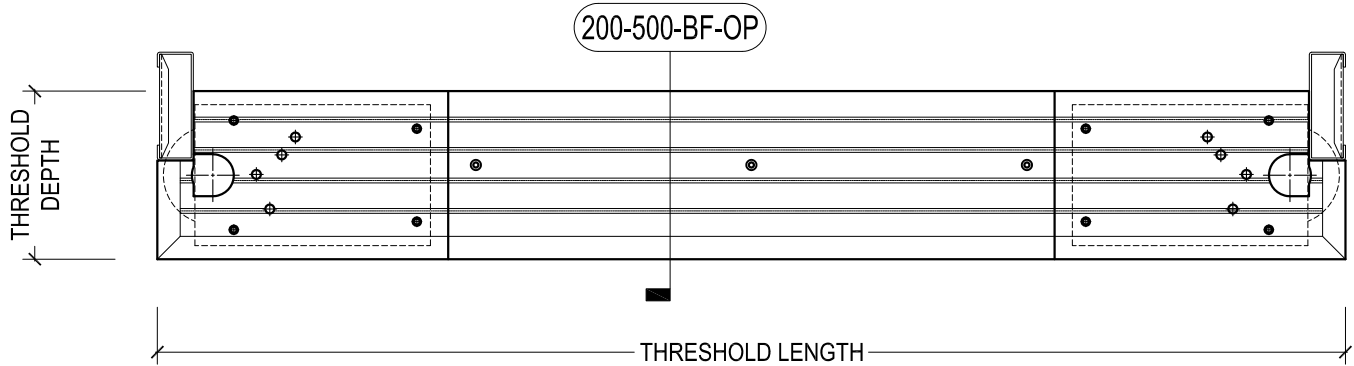
ALL DAWSON BREAK-FORMED THRESHOLDS MAINTAIN THE ADA COMPLIANT 1:2 SLOPE



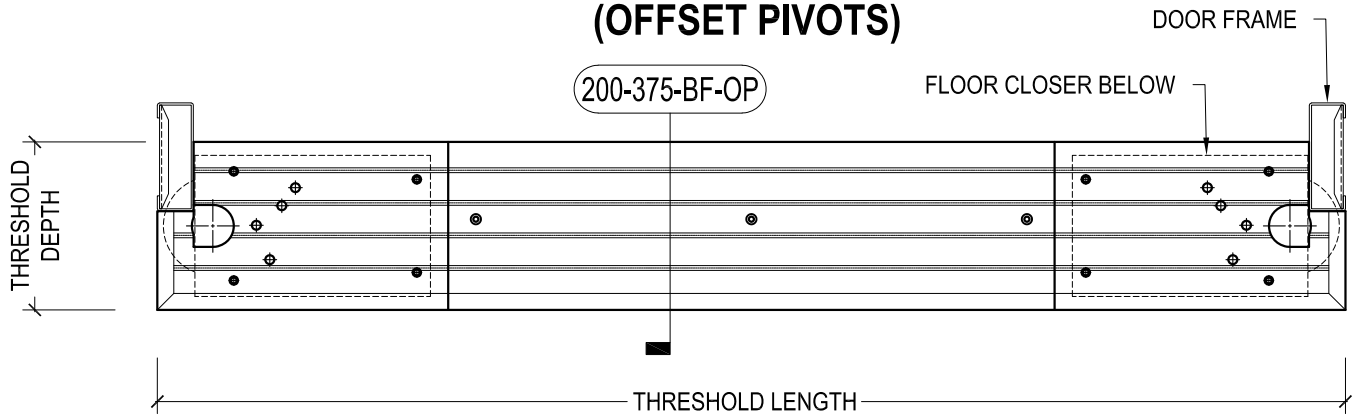
**DAWSON DOORS**

DRAWN BY:	JBL	DRAWING DATE:	12/3/19
SERIES #:	#300-BF-CP	DRAWING #:	300-CP DETAILS
DESCRIPTION:	DETAILS FOR 300-500-BF-CP, 300-375-BF-CP, 300-250-BF-CP		

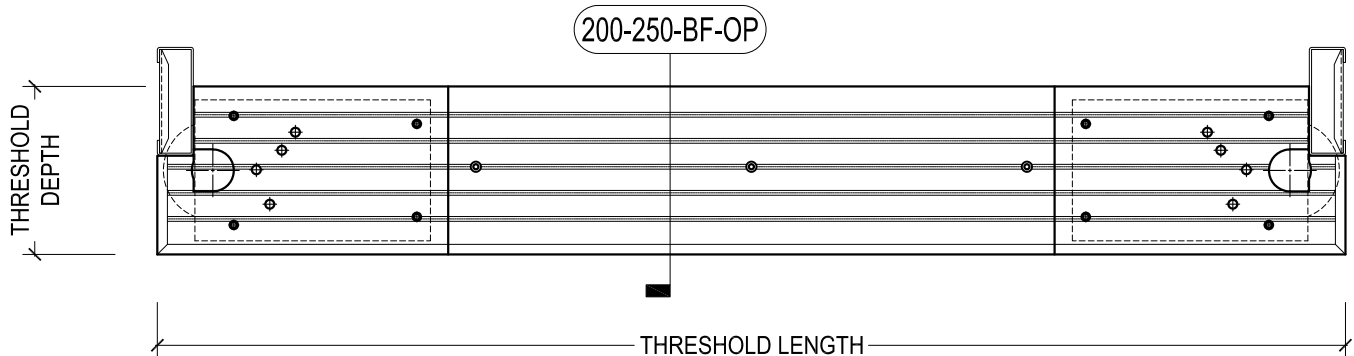
## #200 SERIES $\frac{1}{2}$ " TALL THRESHOLD (OFFSET PIVOTS)



## #200 SERIES $\frac{3}{8}$ " TALL THRESHOLD (OFFSET PIVOTS)



## #200 SERIES $\frac{1}{4}$ " TALL THRESHOLD (OFFSET PIVOTS)



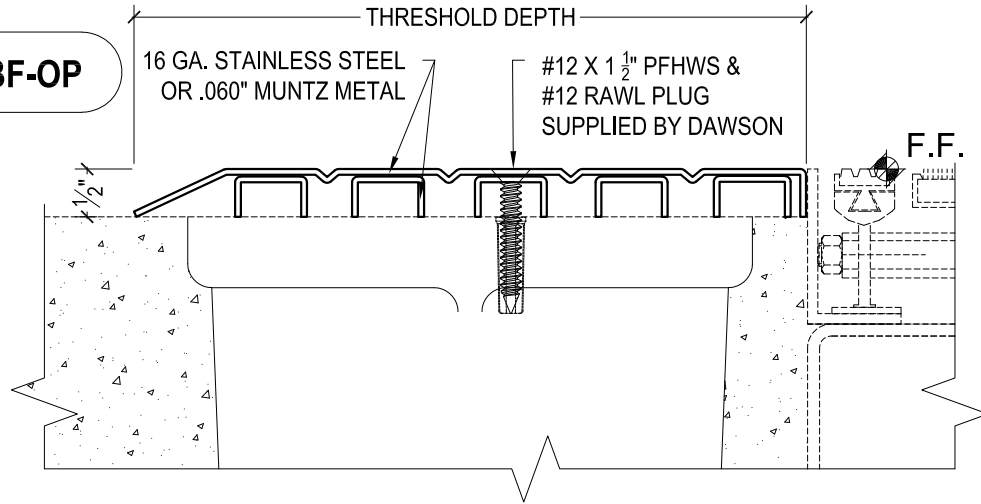
**DAWSON DOORS**

825 ALLEN ST • JAMESTOWN, NY 14701 • (716) 664-3811 • WWW.DAWSONDOORS.COM

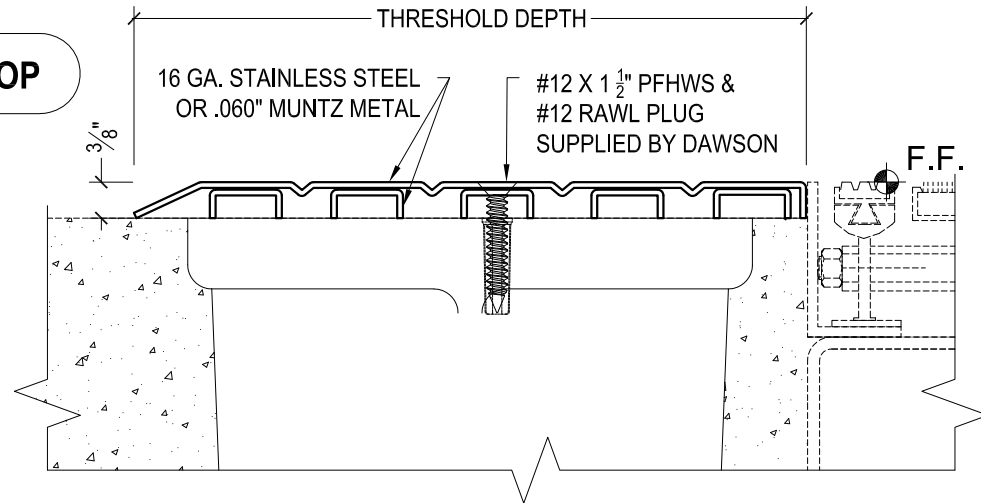
DRAWN BY:	JBL	DRAWING DATE:	12/3/19
SERIES #:	#200-BF-OP	DRAWING #:	200-OP
DESCRIPTION:	PLAN VIEW FOR 200 BRAKE-FORMED - OFFSET PIVOT		



**200-500-BF-OP**

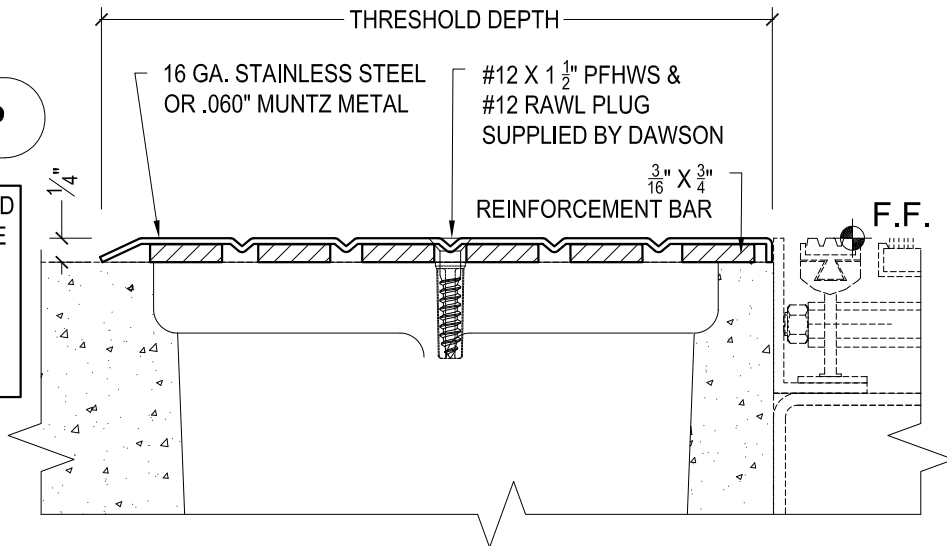
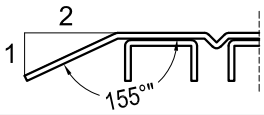


**200-375-BF-OP**



**200-250-BF-OP**

ALL DAWSON BREAK-FORMED  
THRESHOLDS MAINTAIN THE  
ADA COMPLIANT 1:2 SLOPE

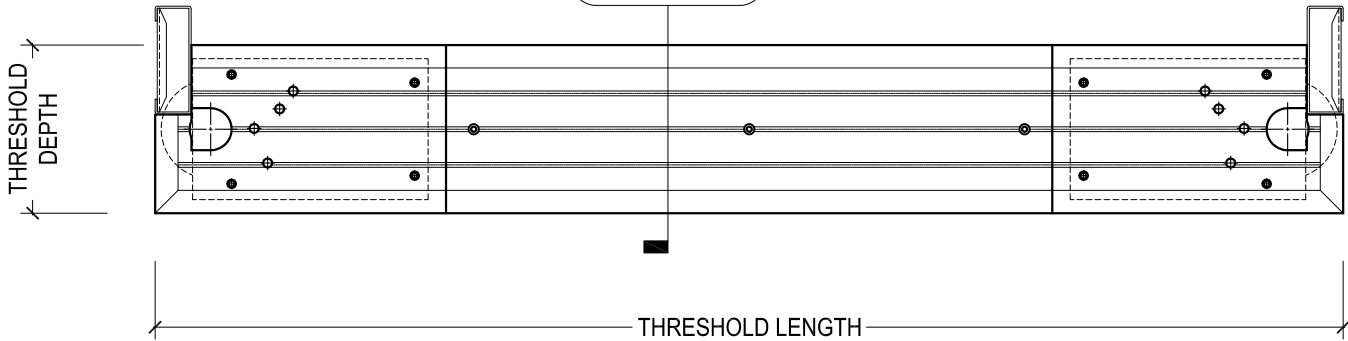


**DAWSON DOORS**

DRAWN BY:	JBL	DRAWING DATE:	12/3/19
SERIES #:	#200-BF-OP	DRAWING #:	200-OP DETAILS
DESCRIPTION:	DETAILS FOR 200-500-BF-OP, 200-375-BF-OP, 200-250-BF-OP		

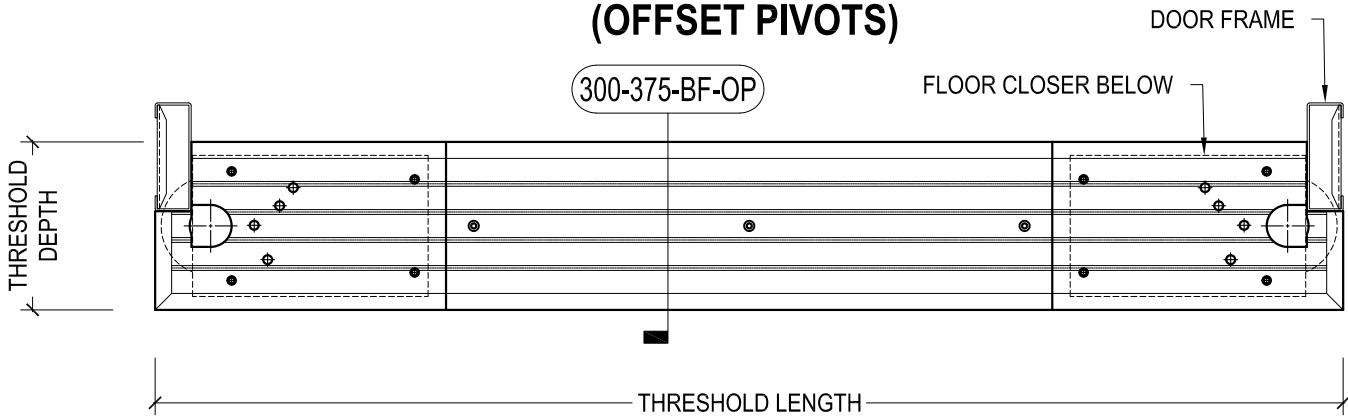
### #300 SERIES $\frac{1}{2}$ " TALL THRESHOLD (OFFSET PIVOTS)

300-500-BF-OP



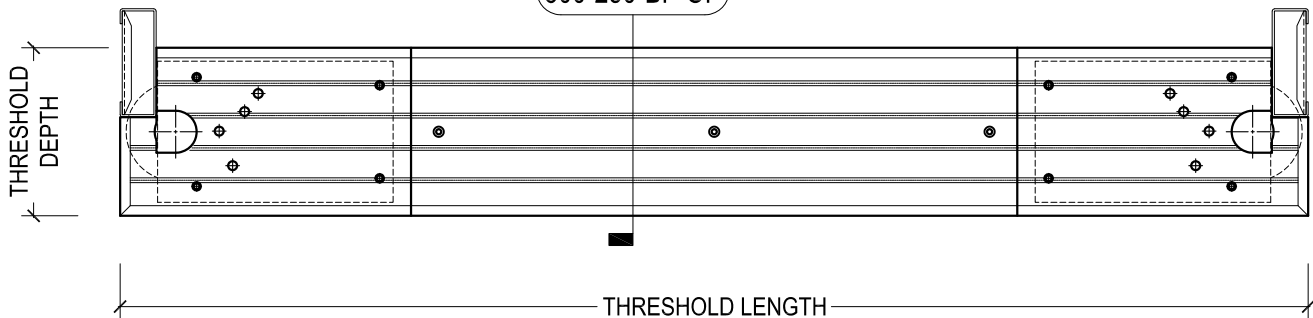
### #300 SERIES $\frac{3}{8}$ " TALL THRESHOLD (OFFSET PIVOTS)

300-375-BF-OP



### #300 SERIES $\frac{1}{4}$ " TALL THRESHOLD (OFFSET PIVOTS)

300-250-BF-OP

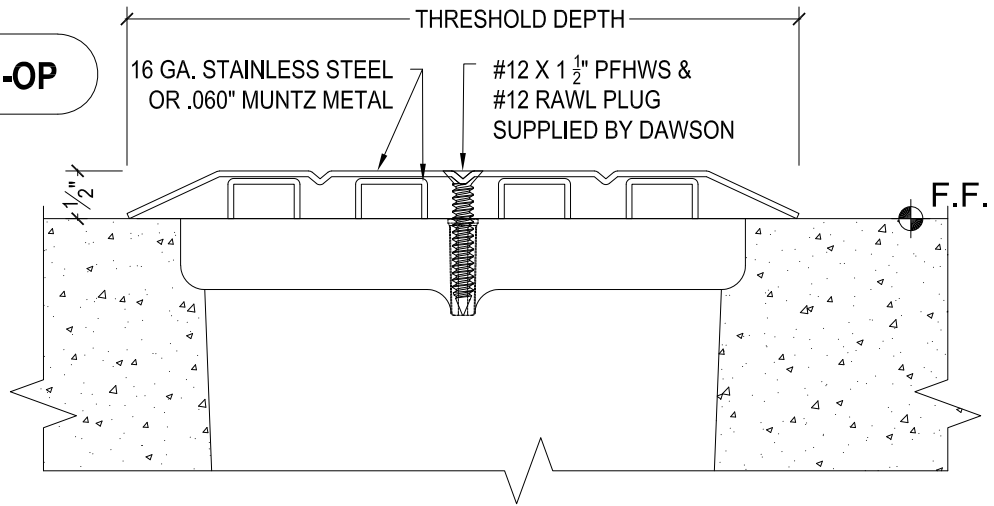


# DAWSON DOORS

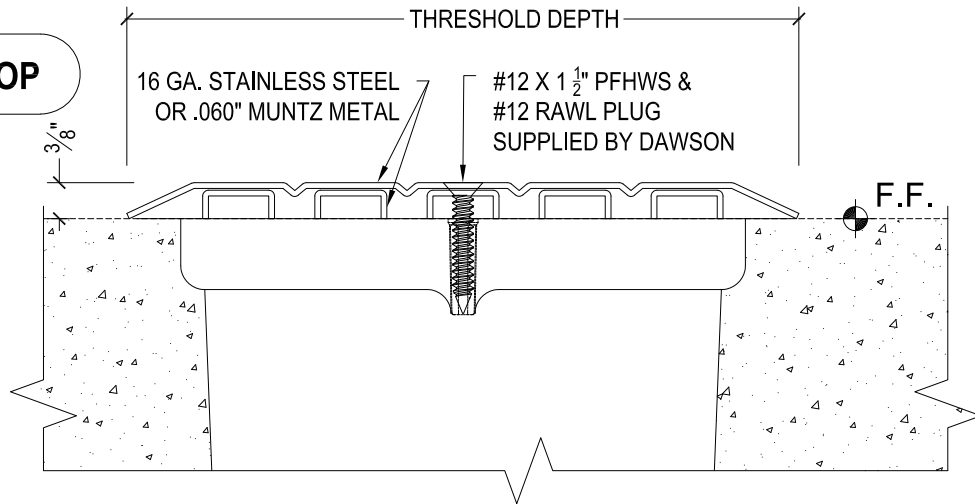
825 ALLEN ST • JAMESTOWN, NY 14701 • (716) 664-3811 • WWW.DAWSONDOORS.COM

DRAWN BY:	JBL	DRAWING DATE:	12/3/19
SERIES #:	#300-BF-OP	DRAWING #:	300-OP
DESCRIPTION:	PLAN VIEW FOR 300 BRAKE-FORMED - OFFSET PIVOT		

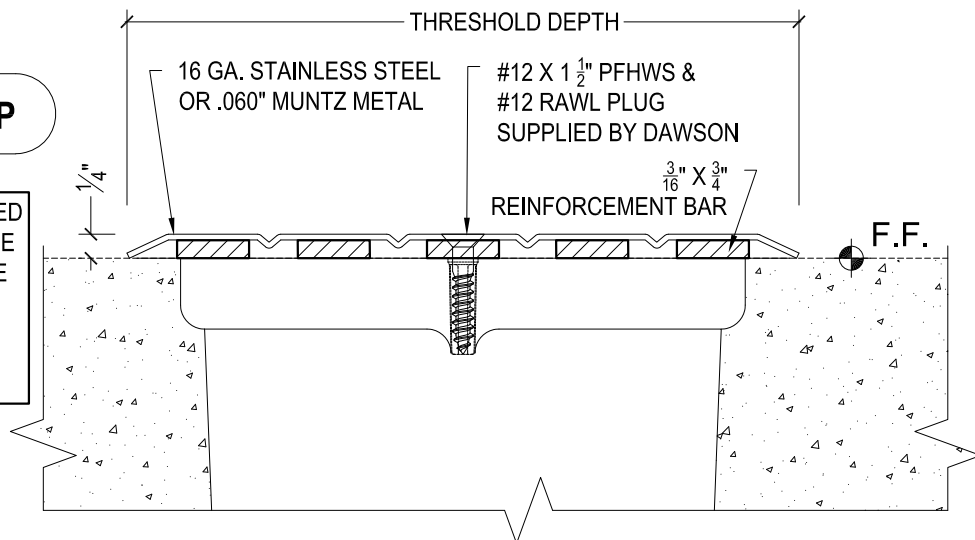
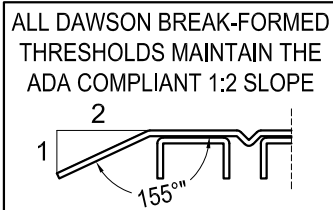
**300-500-BF-OP**



**300-375-BF-OP**



**300-250-BF-OP**

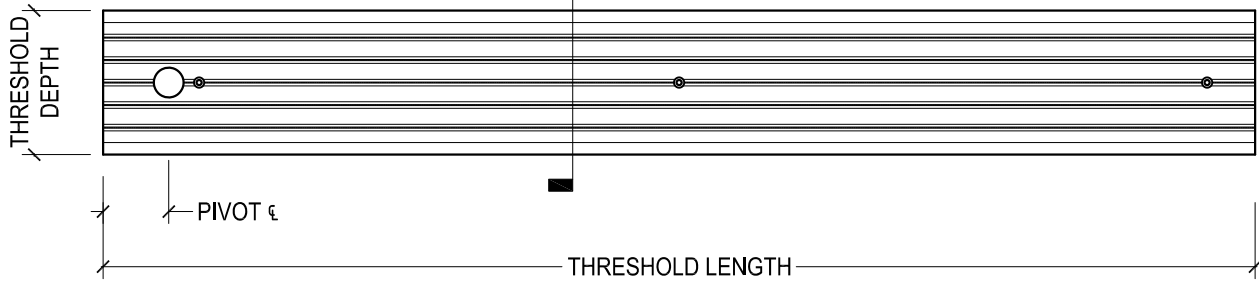


**DAWSON DOORS**

DRAWN BY:	JBL	DRAWING DATE:	12/3/19
SERIES #:	#300-BF-OP	DRAWING #:	300-OP DETAILS
DESCRIPTION:	DETAILS FOR 300-500-BF-OP, 300-375-BF-OP, 300-250-BF-OP		

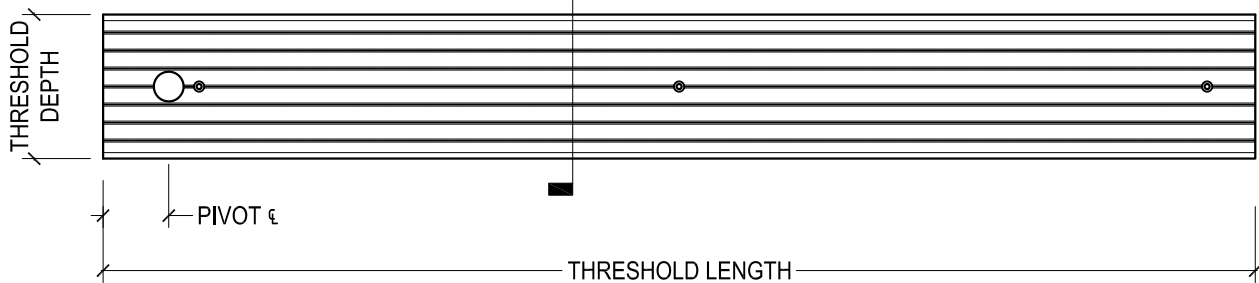
## #300 SERIES $\frac{1}{2}$ " TALL MACHINED V- GROOVE THRESHOLD

300-500-MV-CP



## #300 SERIES $\frac{1}{4}$ " TALL MACHINED V- GROOVE THRESHOLD

300-250-MV-CP



**DAWSON DOORS**

825 ALLEN ST • JAMESTOWN, NY 14701 • (716) 664-3811 • WWW.DAWSONDOORS.COM

DRAWN BY:

JBL

DRAWING DATE:

12/3/19

SERIES #:

#300-MACH.-V

DRAWING #:

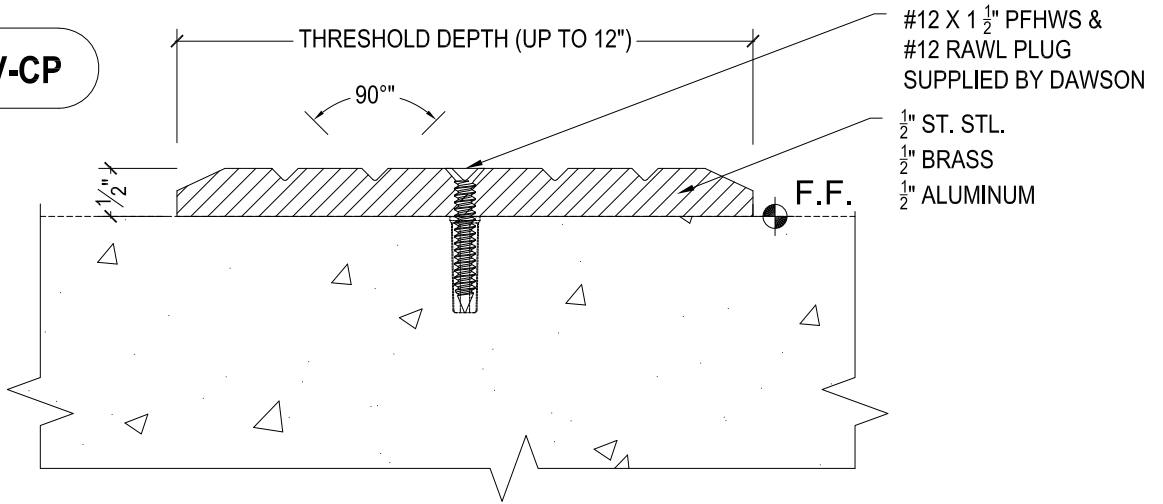
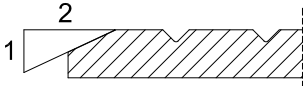
300-MV-CP

DESCRIPTION:

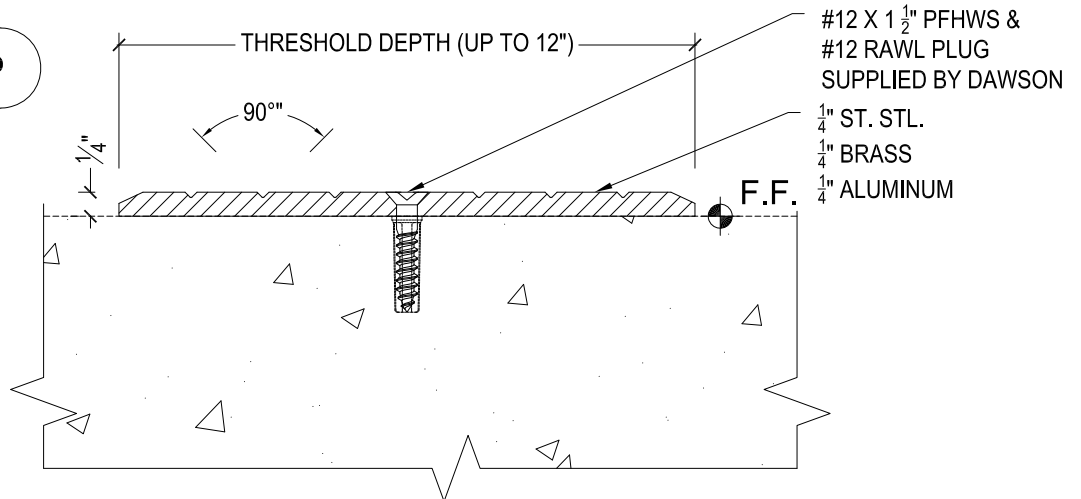
PLAN VIEW FOR 300 SERIES MACHINED - V GROOVE

**300-500-MV-CP**

ALL DAWSON MACHINED THRESHOLDS MAINTAIN THE ADA COMPLIANT 1:2 SLOPE



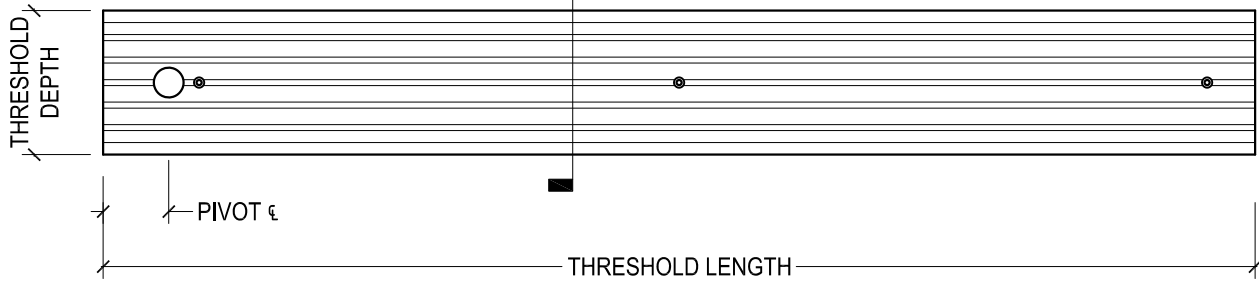
**300-250-MV-CP**



DRAWN BY:	JBL	DRAWING DATE:	12/3/19
SERIES #:	#300-MACH.-V	DRAWING #300-MV-CP DETAILS	
DESCRIPTION:	DETAILS FOR 300-500-MV-CP, 300-250-MV-CP		

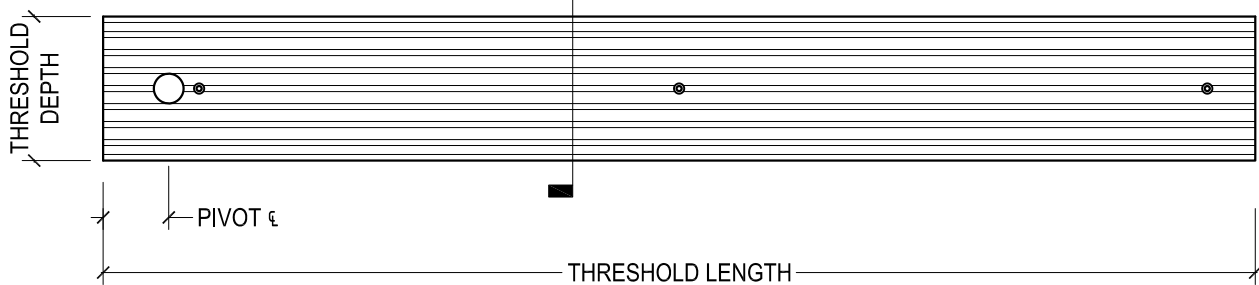
## #300 SERIES $\frac{1}{2}$ " TALL MACHINED U- GROOVE THRESHOLD

300-500-MU-CP



## #300 SERIES $\frac{1}{4}$ " TALL MACHINED U- GROOVE THRESHOLD

300-250-MU-CP



**DAWSON DOORS**

825 ALLEN ST • JAMESTOWN, NY 14701 • (716) 664-3811 • WWW.DAWSONDOORS.COM

DRAWN BY:

JBL

DRAWING DATE:

12/3/19

SERIES #:

#300-MACH.-U

DRAWING #:

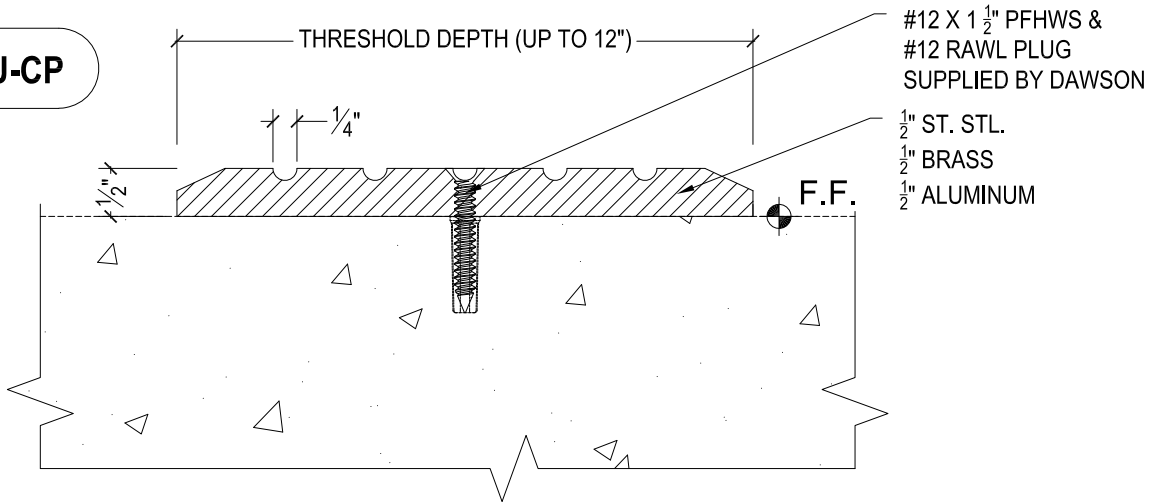
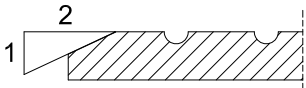
300-MU-CP

DESCRIPTION:

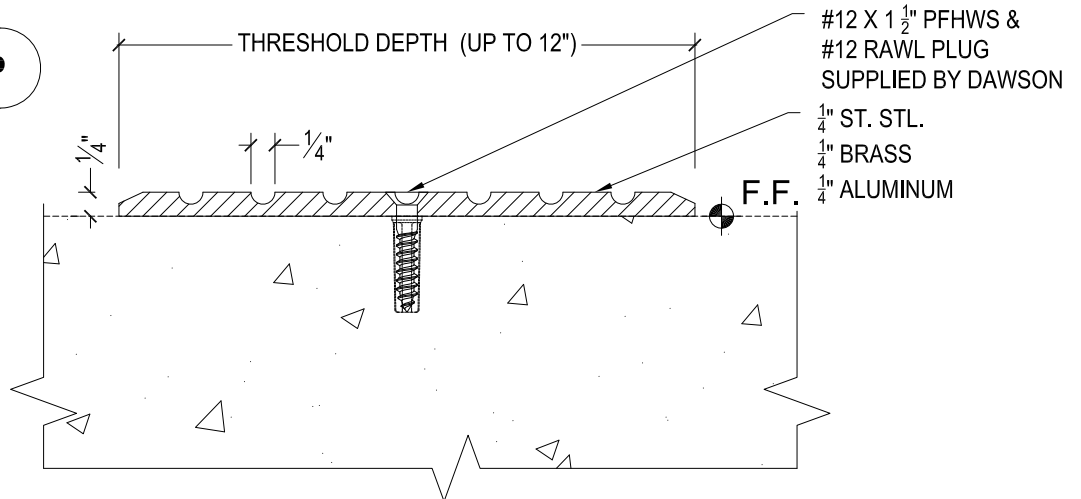
PLAN VIEW FOR 300 SERIES MACHINED - U GROOVE

**300-500-MU-CP**

ALL DAWSON MACHINED THRESHOLDS MAINTAIN THE ADA COMPLIANT 1:2 SLOPE



**300-250-MU-CP**



DRAWN BY:	JBL	DRAWING DATE:	12/3/19
SERIES #:	#300-MACH-U	DRAWING #300-MU-CP DETAILS	
DESCRIPTION:	DETAILS FOR 300-500-MU-CP, 300-250-MU-CP		