

1. MATERIALS & FINISHES

- A. STAINLESS STEEL, BRASS, AND BRONZE ARE AVAILABLE IN #8 MIRROR, #6 SATIN, #4 SATIN, OR NON-DIRECTIONAL (ANGEL HAIR) FINISH. DAWSON DOES NOT PROVIDE LACQUERED FINISH ON BRASS OR BRONZE PRODUCTS. WET PAINTED OR POWDER COATED DOORS WILL BE FABRICATED FROM GALVANNEALED STEEL. CONSULT FACTORY FOR CUSTOM FINISHES.
- B. STAINLESS STEEL AND PAINTED GALVANNEALED STEEL STANDARD SERIES DOORS TO BE FABRICATED WITH 13 GA DOOR PANS AND INTERNAL COMPONENTS. GLASS STOPS TO BE FABRICATED FROM 16 GA MATERIAL.
- C. BRASS AND BRONZE STANDARD SERIES DOORS TO BE FABRICATED WITH .090" DOOR PANS AND INTERNAL COMPONENTS. GLASS STOPS TO BE FABRICATED FROM .060" MATERIAL.
- D. STAINLESS STEEL AND PAINTED GALVANNEALED STEEL FRAMES AND DOOR STOPS TO BE FABRICATED FROM 13 GA MATERIAL. SPACER JAMBS ON EXPOSED HINGE TUBE OPENINGS AND TRANSOM AND SIDELITE GLASS STOPS TO BE FABRICATED FROM 16 GA MATERIAL.
- E. BRASS AND BRONZE FRAMES AND DOOR STOPS TO BE FABRICATED FROM .090" MATERIAL. SPACER JAMBS ON EXPOSED HINGE TUBE OPENINGS AND TRANSOM AND SIDELITE GLASS STOPS TO BE FABRICATED FROM .060" MATERIAL.
- F. STAINLESS STEEL AND PAINTED GALVANNEALED STEEL HINGE TUBES ARE CLAD IN 16 GA MATERIAL. NOTE THAT BALANCED ARMS ARE ONLY AVAILABLE IN STAINLESS STEEL OR BRASS FINISHES.
- G. BRASS AND BRONZE EXPOSED HINGE TUBES ARE CLAD IN .060" MATERIAL. NOTE THAT BALANCED ARMS ARE ONLY AVAILABLE IN STAINLESS STEEL OR BRASS FINISHES.

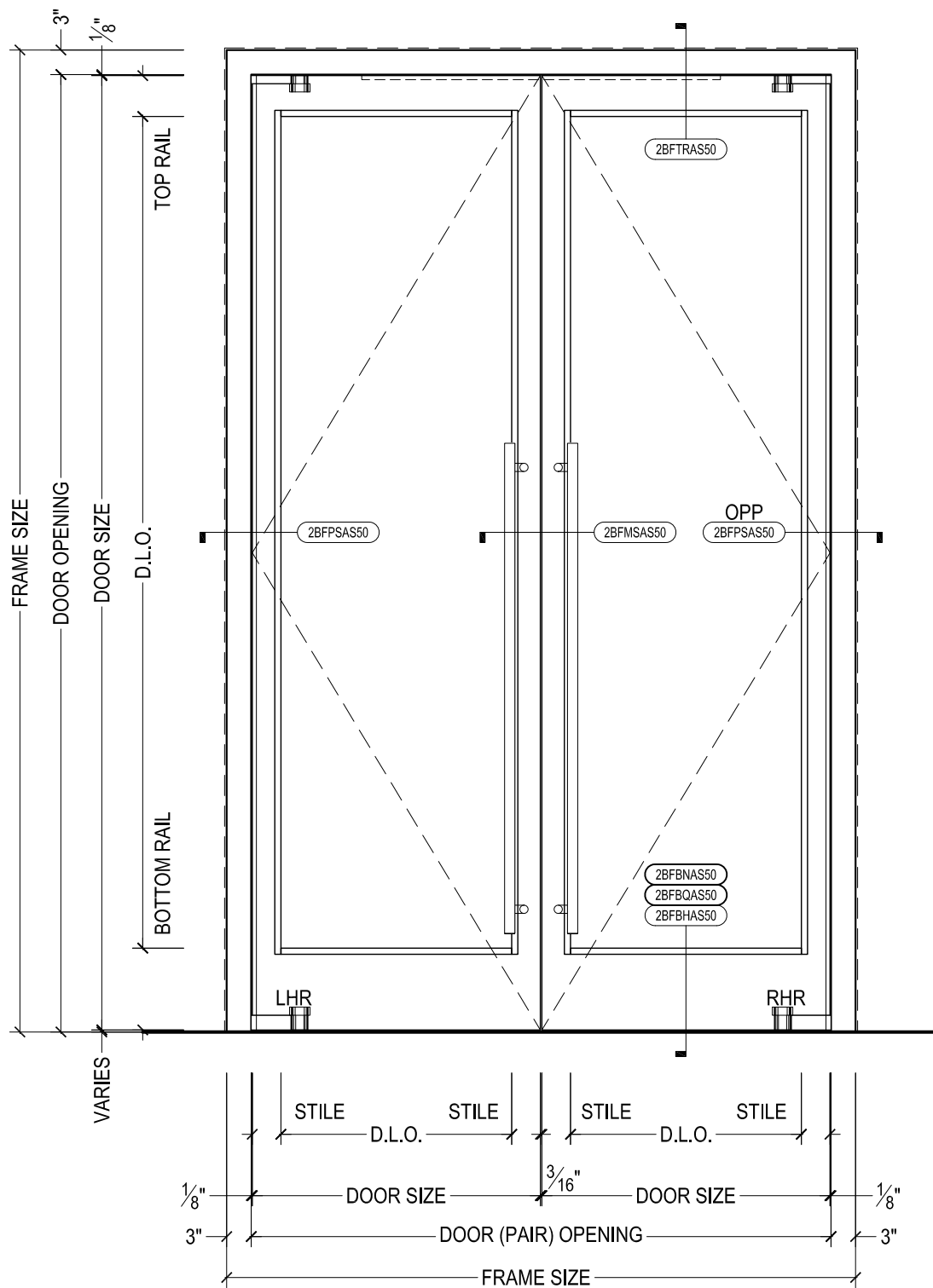
2. STANDARD DIMENSIONS

- A. BALANCED DOORS HAVE A MINIMUM TOP RAIL OF 4 $\frac{1}{2}$ ". STILE AND RAIL DOORS HAVE A MINIMUM STILE WIDTH OF 2 $\frac{3}{4}$ ". ALL DOORS HAVE A STANDARD BOTTOM RAIL DIMENSION OF 10" TO MEET ADA CODE. MINIMUM BOTTOM RAIL OF 6" WILL NOT MEET ADA. MINIMUM DIMENSIONS SUBJECT SUBJECT TO CHANGE BASED ON HARDWARE - CONSULT FACTORY.
- B. FRAME PROFILE STANDARD DIMENSIONS ARE 3" FACE x 6" DEPTH. STANDARD HEADER HEIGHT (FACE) FOR AUTO OPERATED BALANCED DOORS IS 6". CONSULT FACTORY FOR CUSTOM SIZES.
- C. SEE GLAZING DETAILS FOR STANDARD GLASS POCKET AND STANDARD GLASS BITE. CONSULT FACTORY FOR CUSTOM GLASS POCKET OR CUSTOM GLASS BITE.
- D. BALANCED DOOR UNDERCUT IS AVAILABLE AS $\frac{1}{4}$ ", $\frac{1}{2}$ ", OR $\frac{3}{4}$ ". UNDERCUT IS DRIVEN BY THRESHOLD HEIGHT.
- E. HORIZONTAL DOOR STOPS TO STOP SHORT ON PIVOT SIDE FOR SWING CLEARANCE. DOOR STOPS FABRICATED $\frac{5}{8}$ " HIGH STANDARD VARYING WITH HARDWARE REQUIREMENTS. WIDTH VARIES AS REQUIRED. CONSULT FACTORY FOR CUSTOM SIZES AND PROFILES.
- F. MINIMUM BALANCED DOOR WIDTH TO MEET ADA MINIMUM OF 32" CLEAR OPENING IS 35 $\frac{3}{16}$ " PER PAIR OF DOORS & 36" FOR SINGLE DOORS. MINIMUM AUTO OPERATED BALANCED DOOR WIDTH IS 36" DUE TO HARDWARE LIMITATIONS.



825 ALLEN ST • JAMESTOWN, NY 14701 • (716) 664-3811 • WWW.DAWSONDOORS.COM

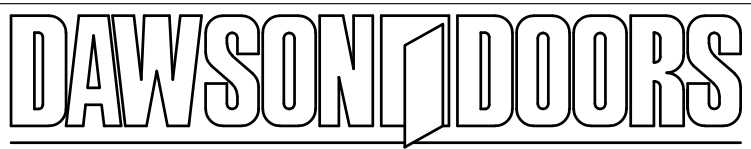
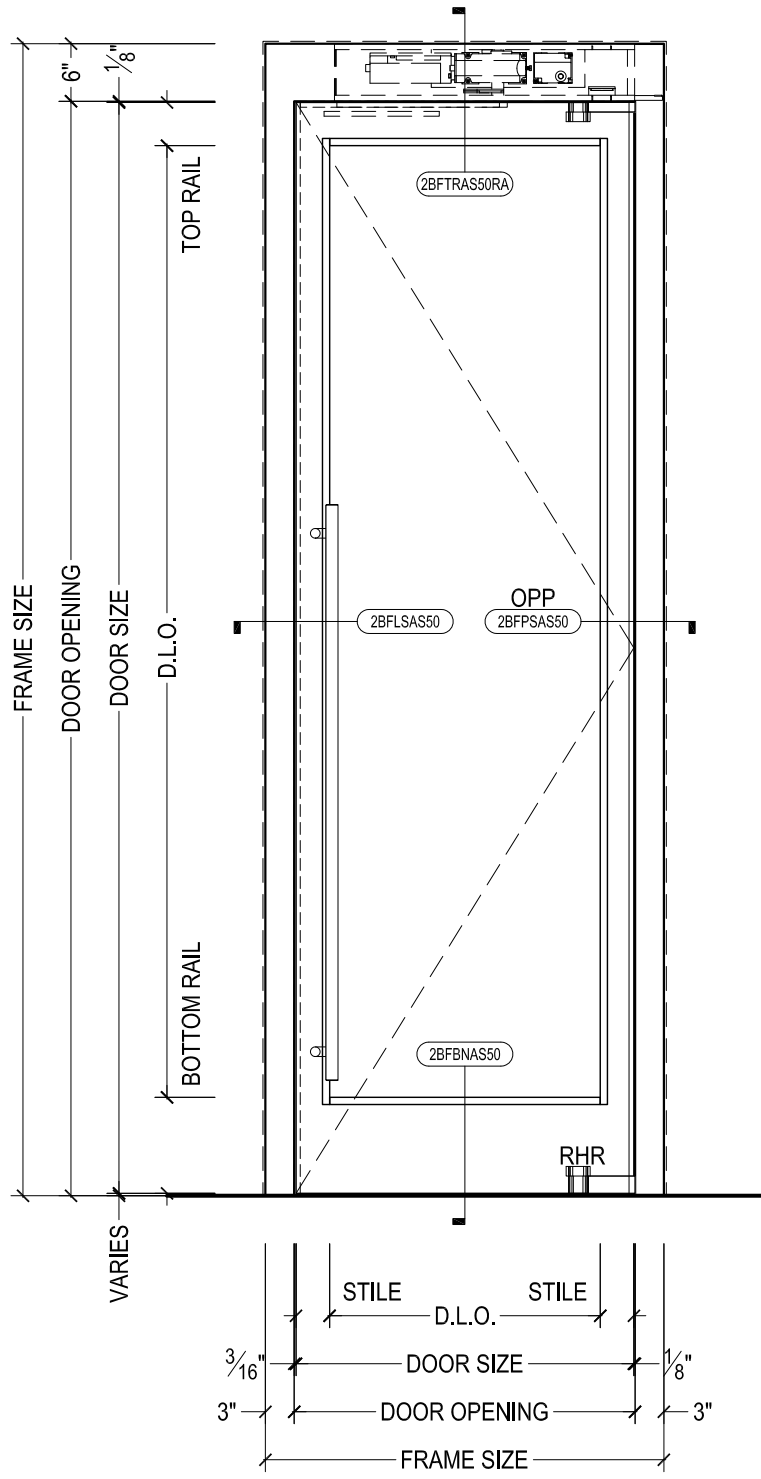
| | | | |
|--------------|--|---------------|---------|
| DRAWN BY: | AG | DRAWING DATE: | 12/2/19 |
| SET #: | 002-BAL | DRAWING #: | NOTES 1 |
| DESCRIPTION: | GENERAL NOTES FOR 002 STANDARD SERIES DOORS WITH BALANCED HARDWARE | | |



DAWSON DOORS

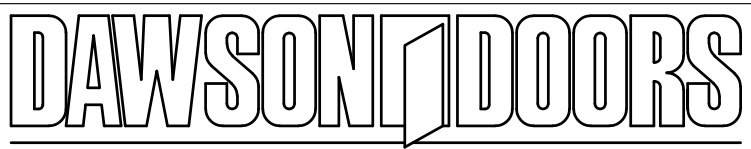
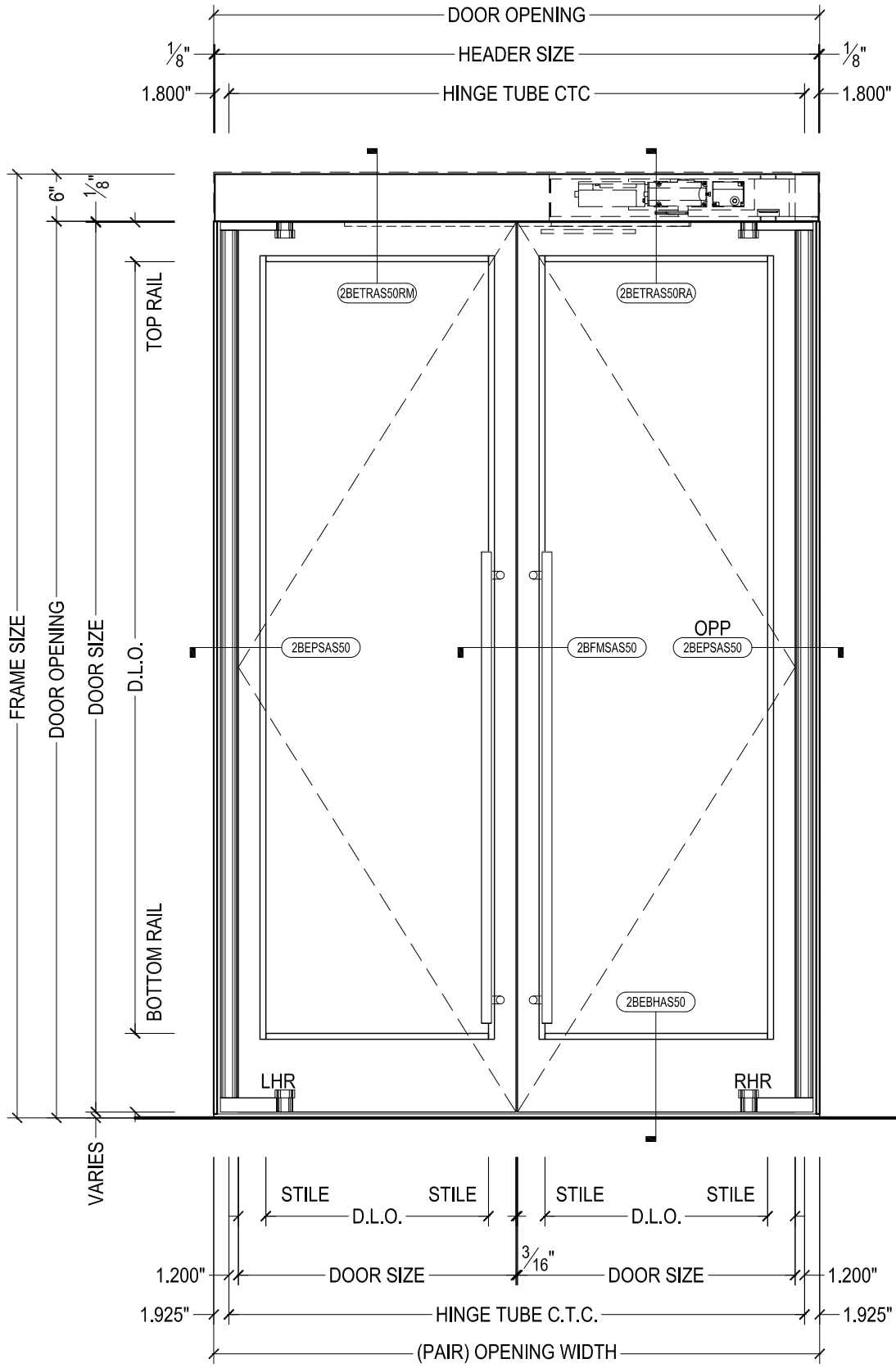
825 ALLEN ST • JAMESTOWN, NY 14701 • (716) 664-3811 • WWW.DAWSONDOORS.COM

| | | | |
|--------------|--|---------------|-------------|
| DRAWN BY: | AG | DRAWING DATE: | 12/2/19 |
| SET #: | 002-BAL | DRAWING #: | EL-MAN-PAIR |
| DESCRIPTION: | ELEVATION - STILE AND RAIL STANDARD SERIES BALANCED DOORS | | |



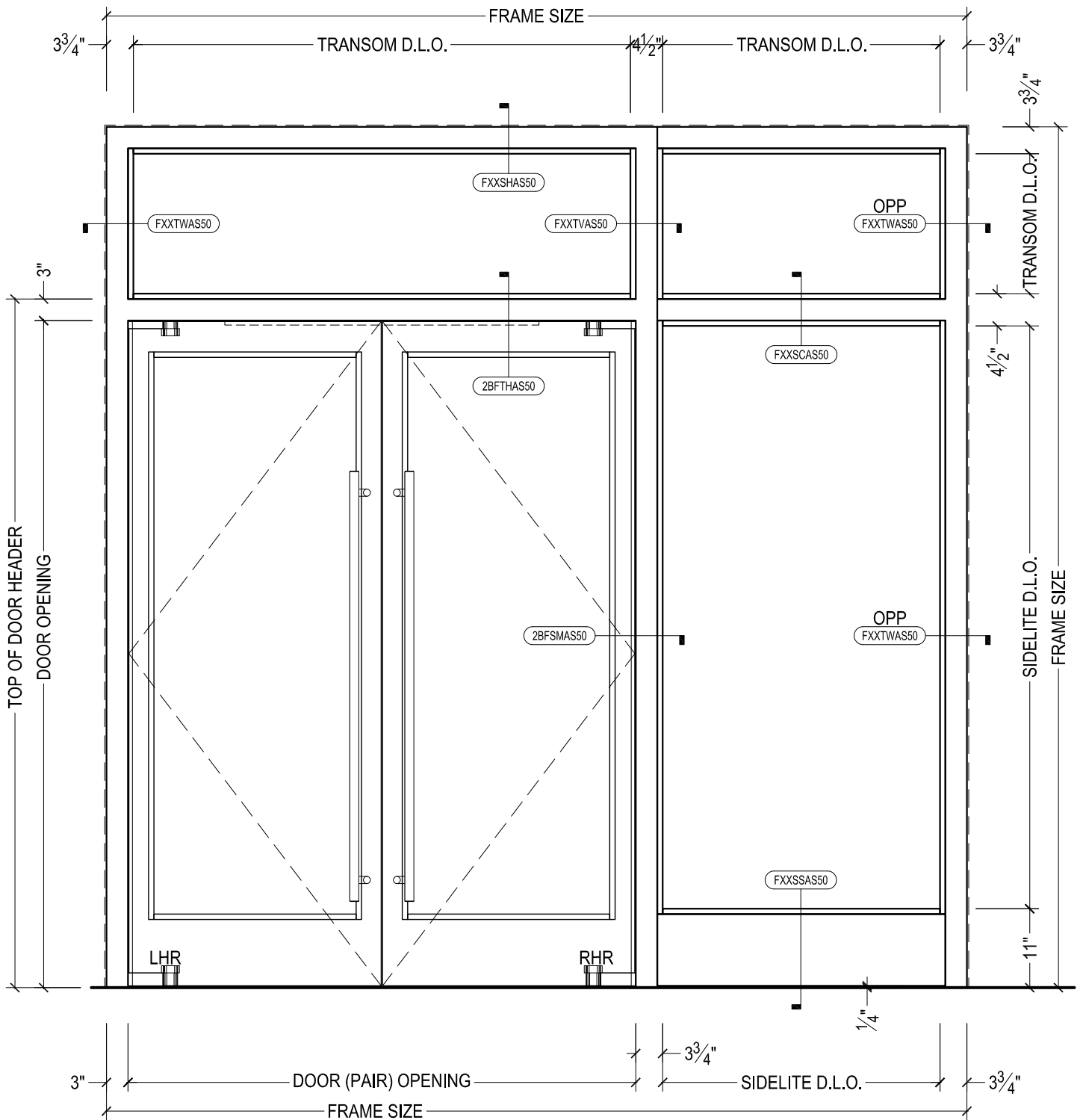
825 ALLEN ST • JAMESTOWN, NY 14701 • (716) 664-3811 • WWW.DAWSONDOORS.COM

| | | | |
|--------------|---|---------------|-------------|
| DRAWN BY: | AG | DRAWING DATE: | 12/2/19 |
| SET #: | 002-BAL | DRAWING #: | EL-AUTO-SIN |
| DESCRIPTION: | ELEVATION - STILE AND RAIL STANDARD SERIES BALANCED DOOR WITH RECORD AUTO OPERATOR | | |



825 ALLEN ST • JAMESTOWN, NY 14701 • (716) 664-3811 • WWW.DAWSONDOORS.COM

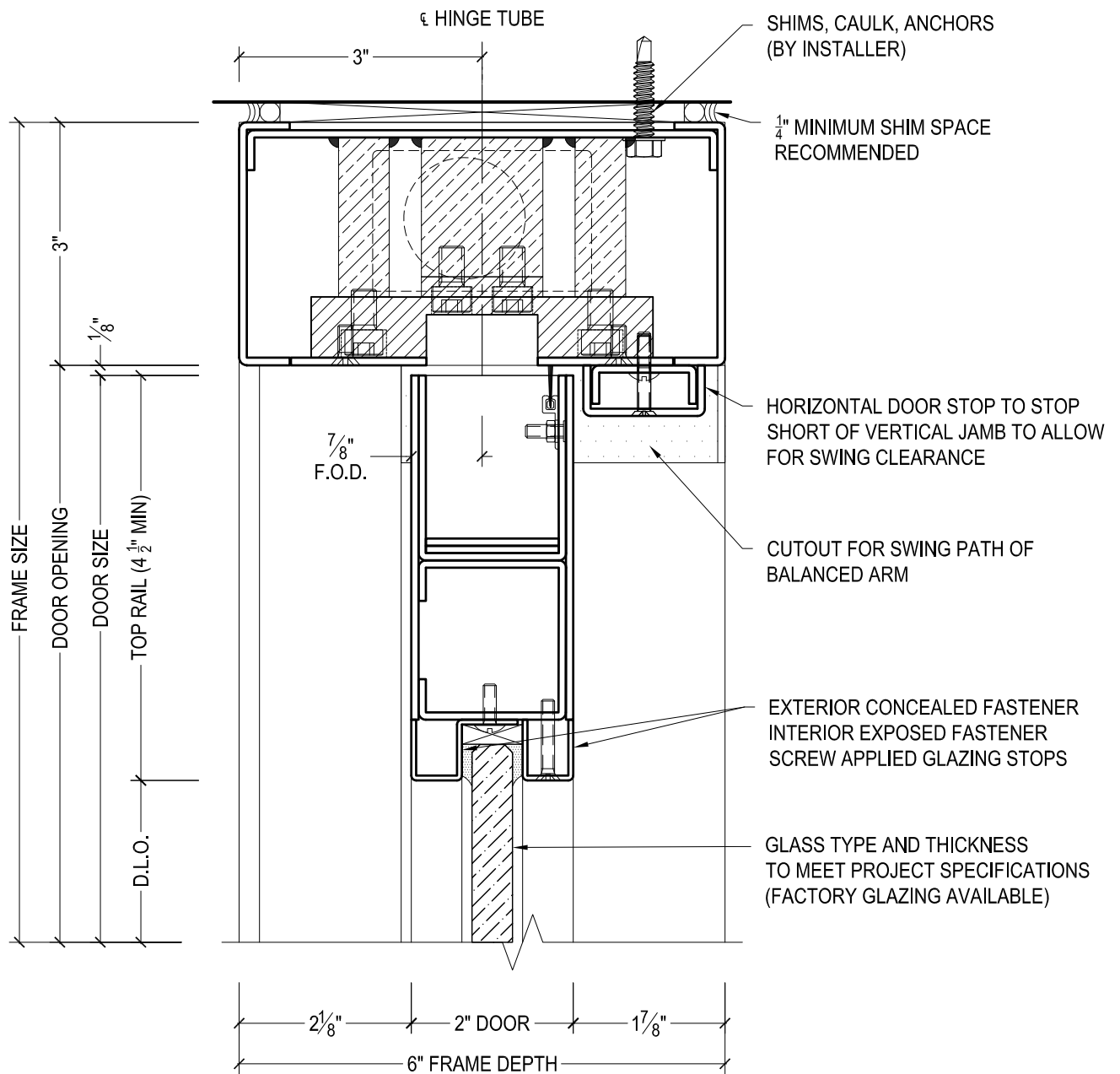
| | | | |
|--------------|---|---------------|-------------|
| DRAWN BY: | AG | DRAWING DATE: | 12/2/19 |
| SET #: | 002-BAL | DRAWING #: | EL-EHT-PAIR |
| DESCRIPTION: | ELEVATION - STILE AND RAIL STANDARD SERIES BALANCED DOORS WITH RECORD AUTO OPERATOR AND EXPOSED HINGE TUBES | | |



DAWSON DOORS

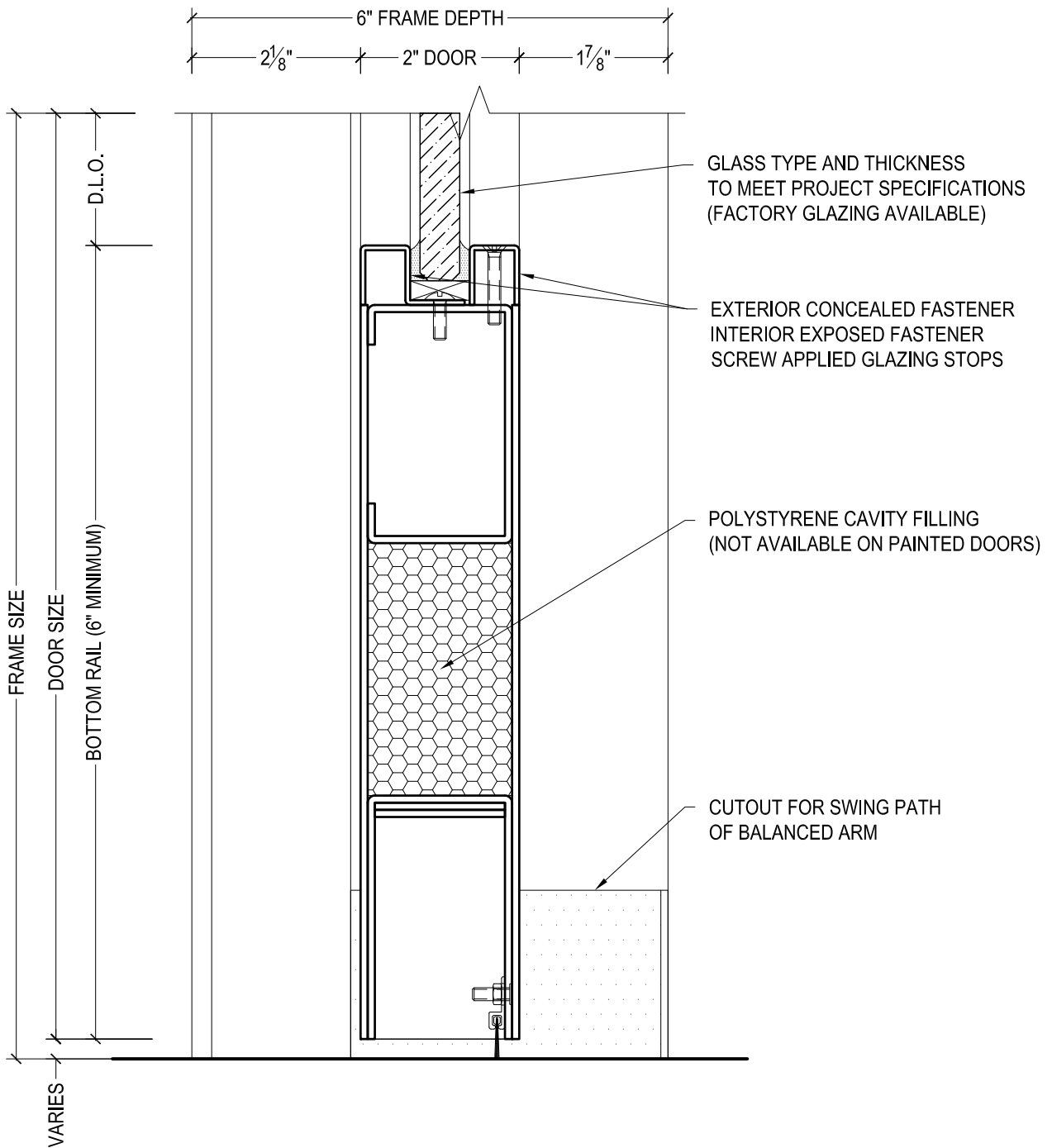
825 ALLEN ST • JAMESTOWN, NY 14701 • (716) 664-3811 • WWW.DAWSONDOORS.COM

| | | | |
|--------------|--|---------------|------------|
| DRAWN BY: | AG | DRAWING DATE: | 12/2/19 |
| SET #: | 002-BAL | DRAWING #: | EL-BAL-SLT |
| DESCRIPTION: | ELEVATION - STILE AND RAIL STANDARD SERIES BALANCED DOORS WITH FRAME SIDELITE AND TRANSOM | | |

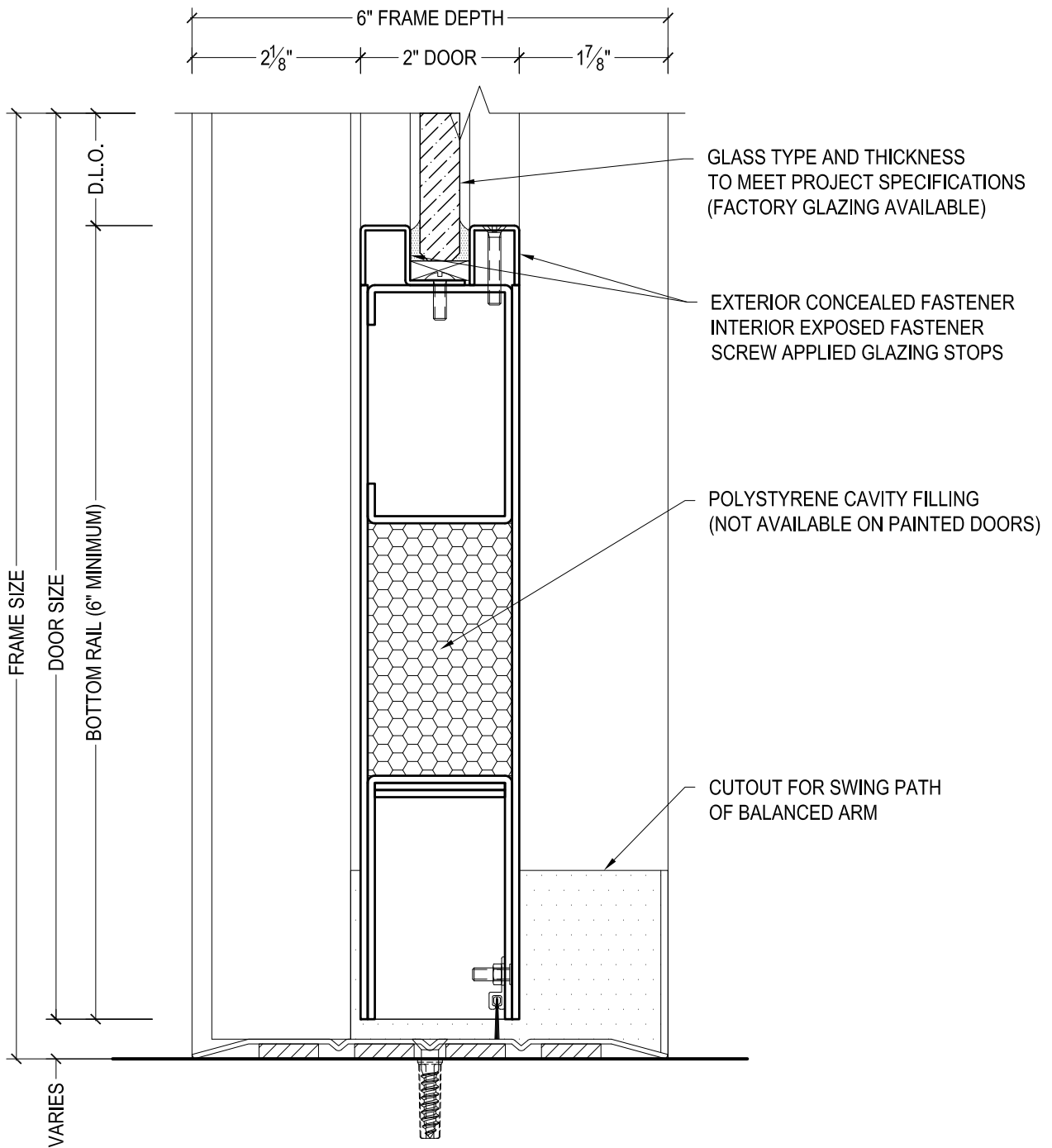


DAWSON DOORS

| | | | |
|--------------|--|---------------|-----------|
| DRAWN BY: | AG | DRAWING DATE: | 12/2/19 |
| SET #: | 002-BAL | DRAWING #: | 2BFTRAS50 |
| DESCRIPTION: | HEADER / TOP RAIL - STANDARD SERIES BALANCED DOORS | | |

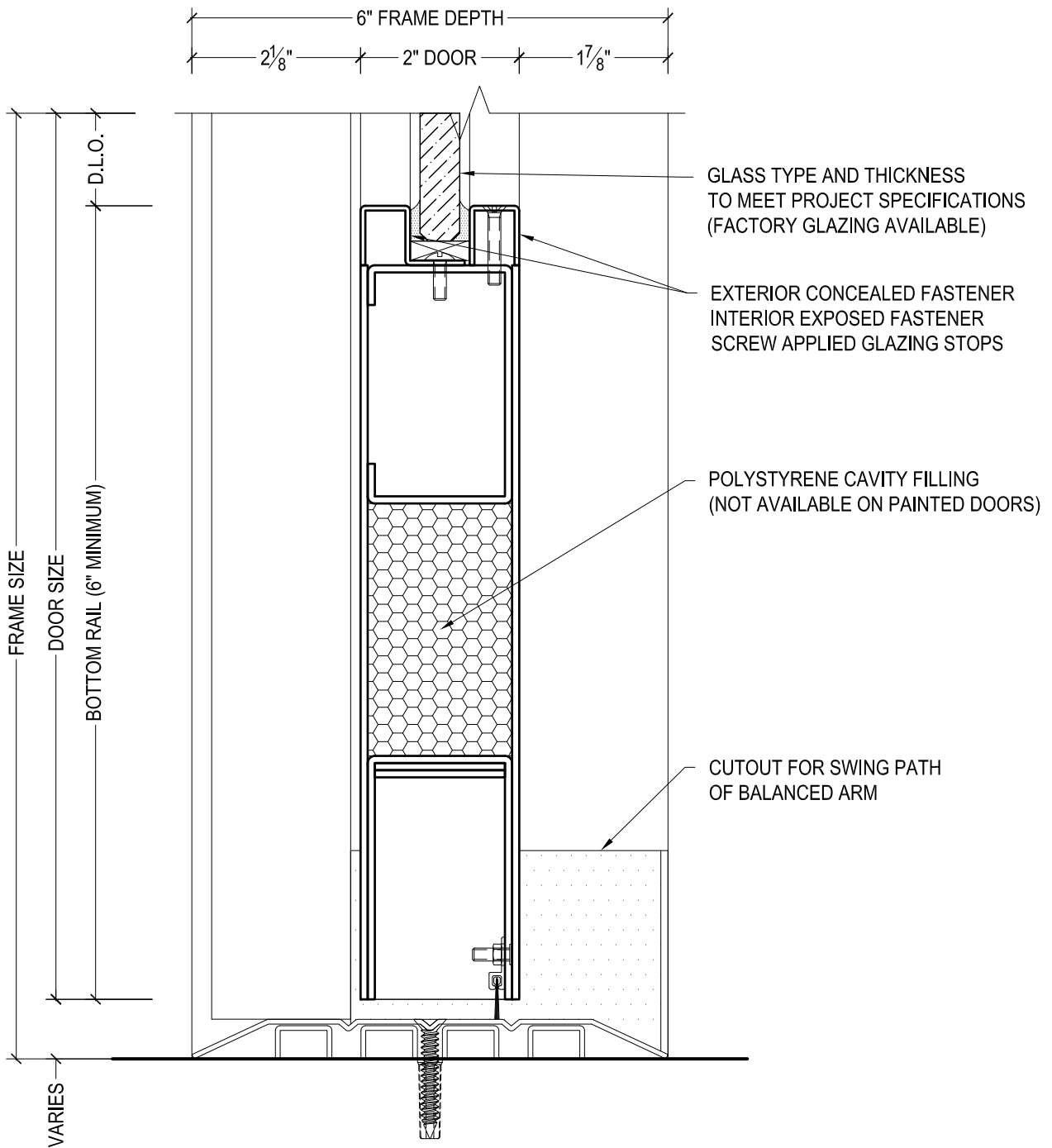


| | | | |
|--------------|--|---------------|-----------|
| DRAWN BY: | AG | DRAWING DATE: | 12/2/19 |
| SET #: | 002-BAL | DRAWING #: | 2BFBNAS50 |
| DESCRIPTION: | BOTTOM RAIL - STANDARD SERIES BALANCED DOORS - NO THRESHOLD - | | |



DAWSON DOORS

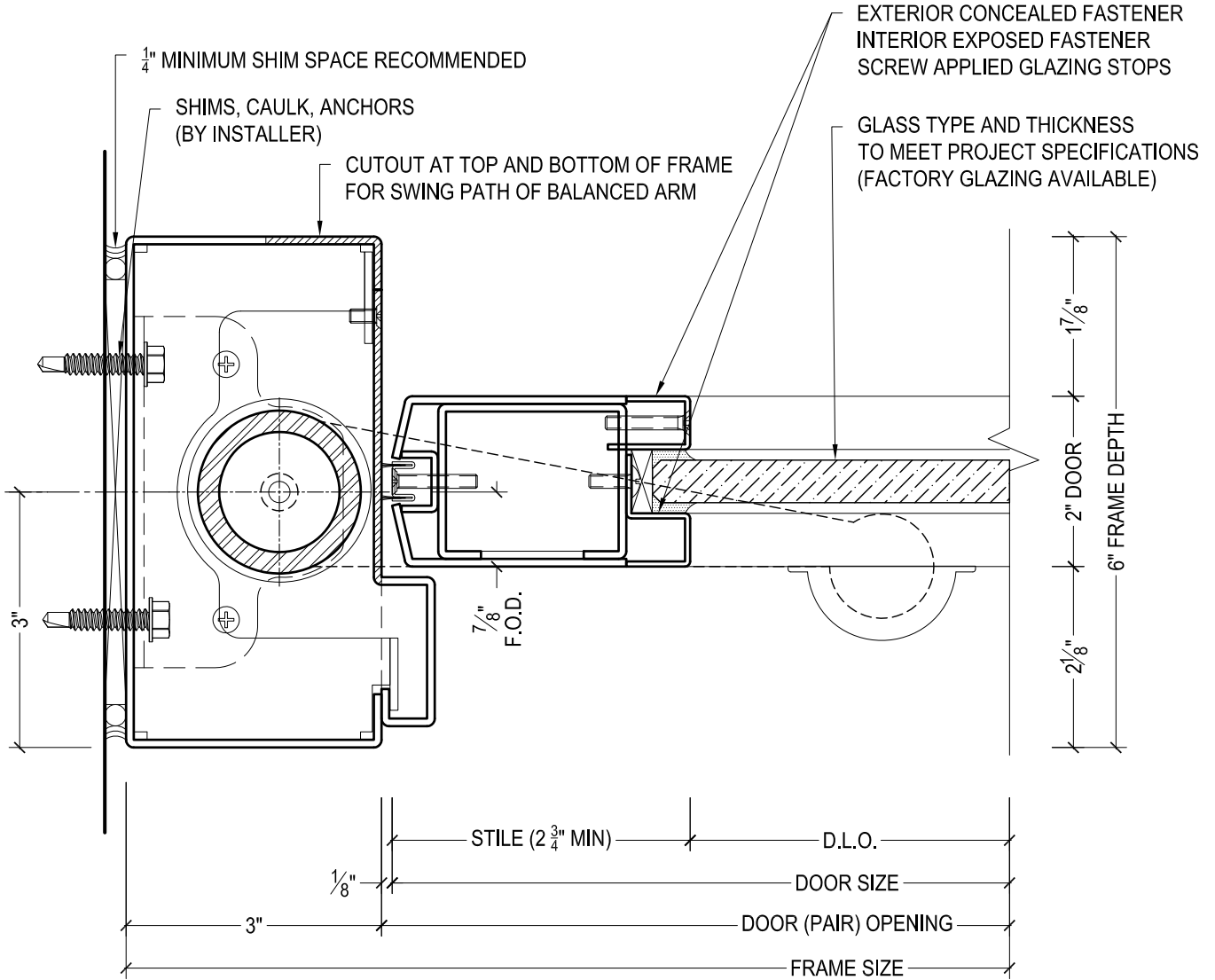
| | | | |
|--------------|--|---------------|-----------|
| DRAWN BY: | AG | DRAWING DATE: | 12/2/19 |
| SET #: | 002-BAL | DRAWING #: | 2BFBQAS50 |
| DESCRIPTION: | BOTTOM RAIL - STANDARD SERIES BALANCED DOORS - 1/4" THRESHOLD - | | |



DAWSON DOORS

| | | | |
|--------------|--|---------------|-----------|
| DRAWN BY: | AG | DRAWING DATE: | 12/2/19 |
| SET #: | 002-BAL | DRAWING #: | 2BFBHAS50 |
| DESCRIPTION: | BOTTOM RAIL - STANDARD SERIES BALANCED DOORS - 1/2" THRESHOLD - | | |

ε HINGE TUBE



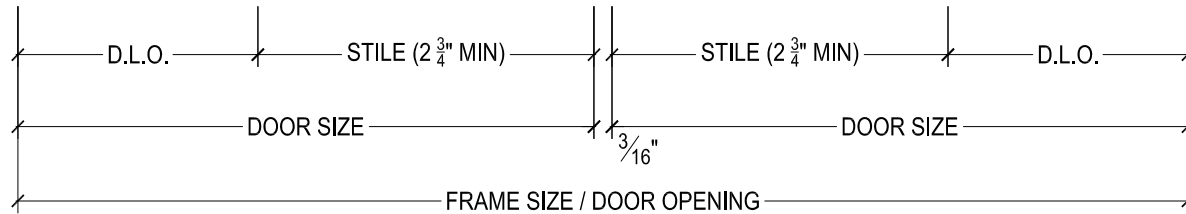
| | | | |
|--------------|---|---------------|-----------|
| DRAWN BY: | AG | DRAWING DATE: | 12/2/19 |
| SET #: | 002-BAL | DRAWING #: | 2BFPSAS50 |
| DESCRIPTION: | PIVOT JAMB / STILE - STANDARD SERIES BALANCED DOORS | | |

GLASS TYPE AND THICKNESS
TO MEET PROJECT SPECIFICATIONS
(FACTORY GLAZING AVAILABLE)

EXTERIOR CONCEALED FASTENER
INTERIOR EXPOSED FASTENER
SCREW APPLIED GLAZING STOPS

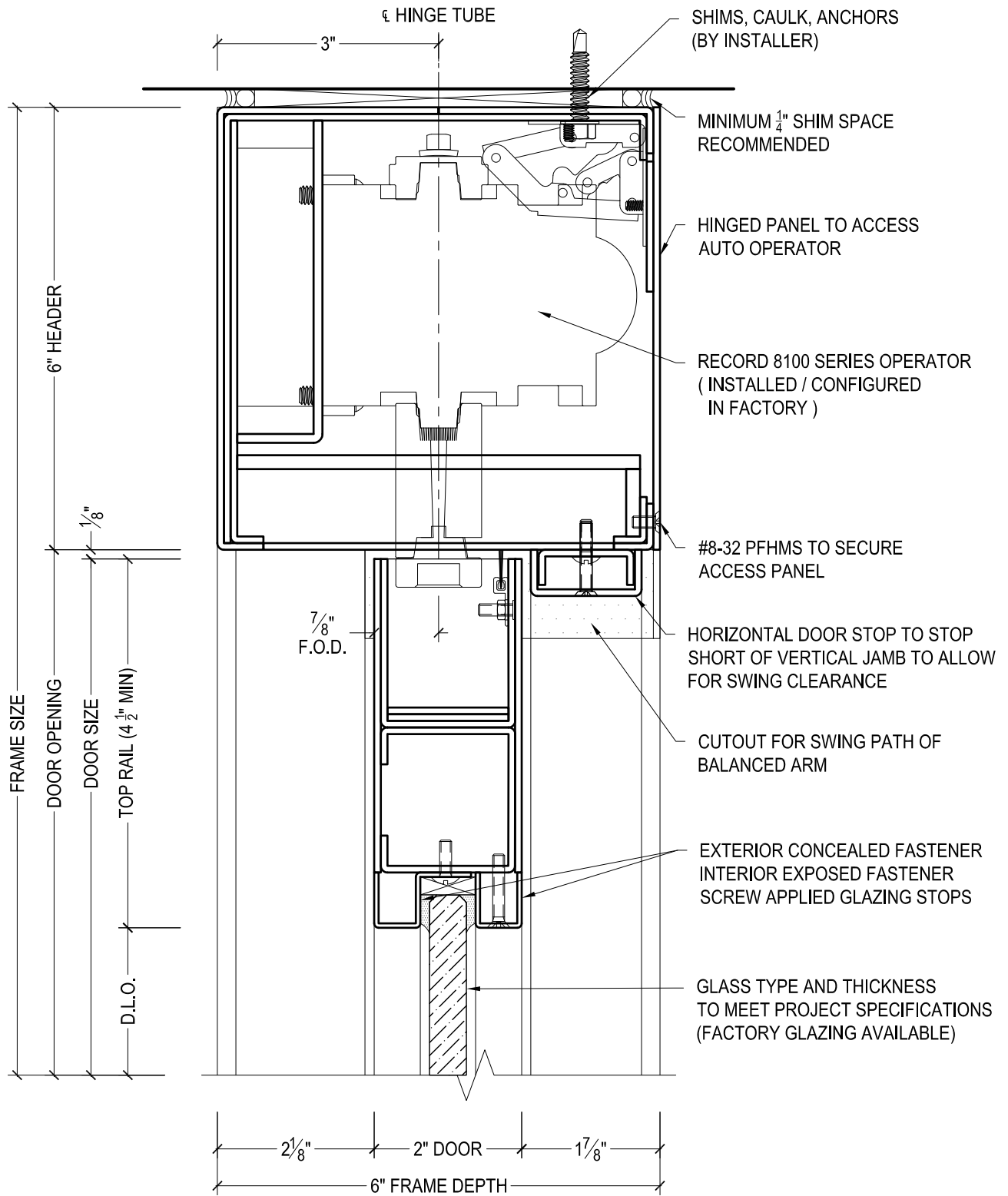
ADJUSTABLE WEATHER STRIP

2" DOOR



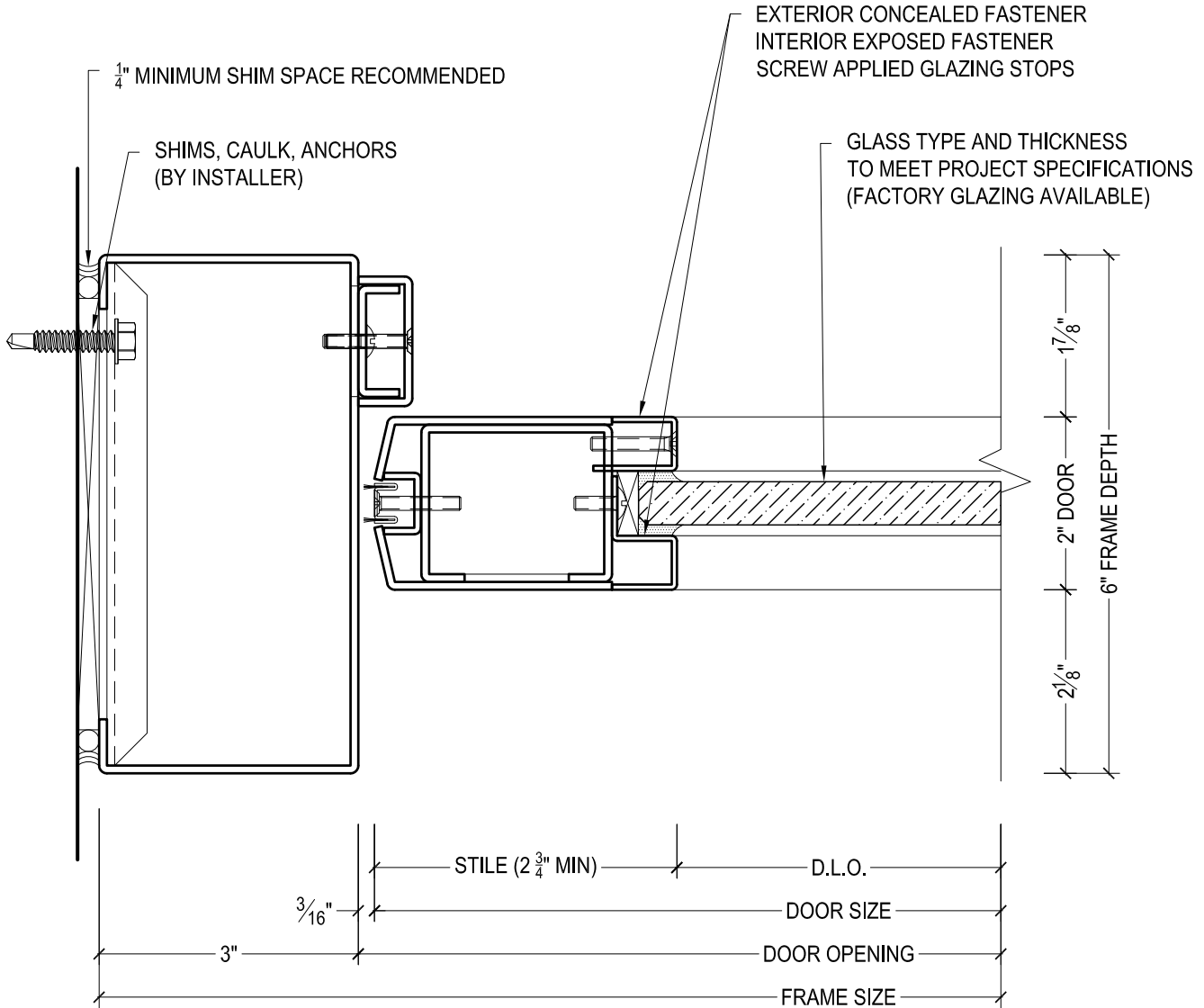
825 ALLEN ST • JAMESTOWN, NY 14701 • (716) 664-3811 • WWW.DAWSONDOORS.COM

| | | | |
|--------------|---|---------------|-----------|
| DRAWN BY: | AG | DRAWING DATE: | 12/2/19 |
| SET #: | 002-BAL | DRAWING #: | 2BFMSAS50 |
| DESCRIPTION: | MEETING STILES - STANDARD SERIES BALANCED DOORS | | |



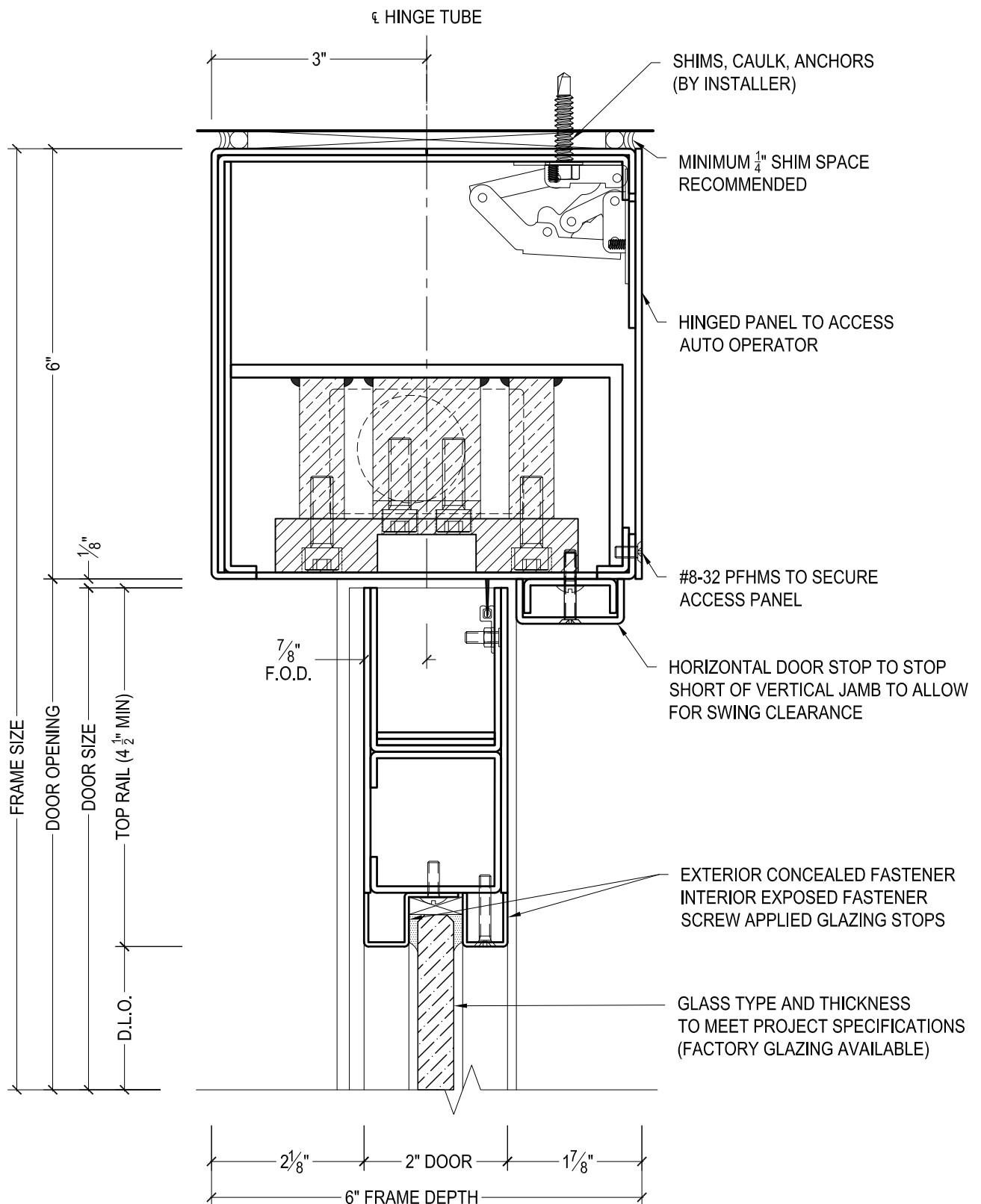
DAWSON DOORS

| | | | |
|--------------|--|---------------|-------------|
| DRAWN BY: | AG | DRAWING DATE: | 12/2/19 |
| SET #: | 002-BAL | DRAWING #: | 2BFTRAS50RA |
| DESCRIPTION: | HEADER / TOP RAIL - STANDARD SERIES BALANCED DOORS WITH RECORD AUTO OPERATOR | | |



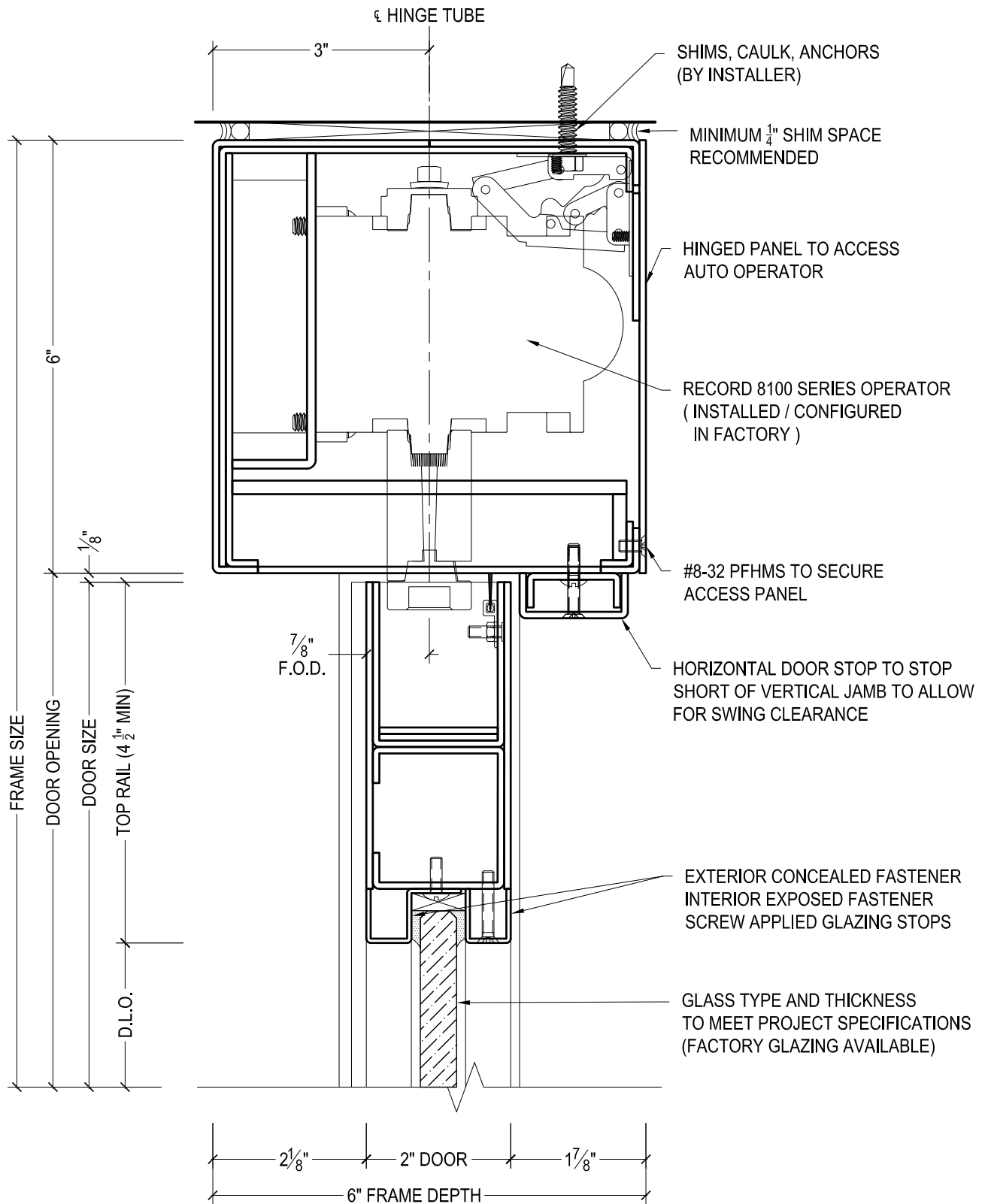
DAWSON DOORS

| | | | |
|--------------|--|---------------|-----------|
| DRAWN BY: | AG | DRAWING DATE: | 12/2/19 |
| SET #: | 002-BAL | DRAWING #: | 2BFLSAS50 |
| DESCRIPTION: | LOCK JAMB / STILE - STANDARD SERIES BALANCED DOORS | | |



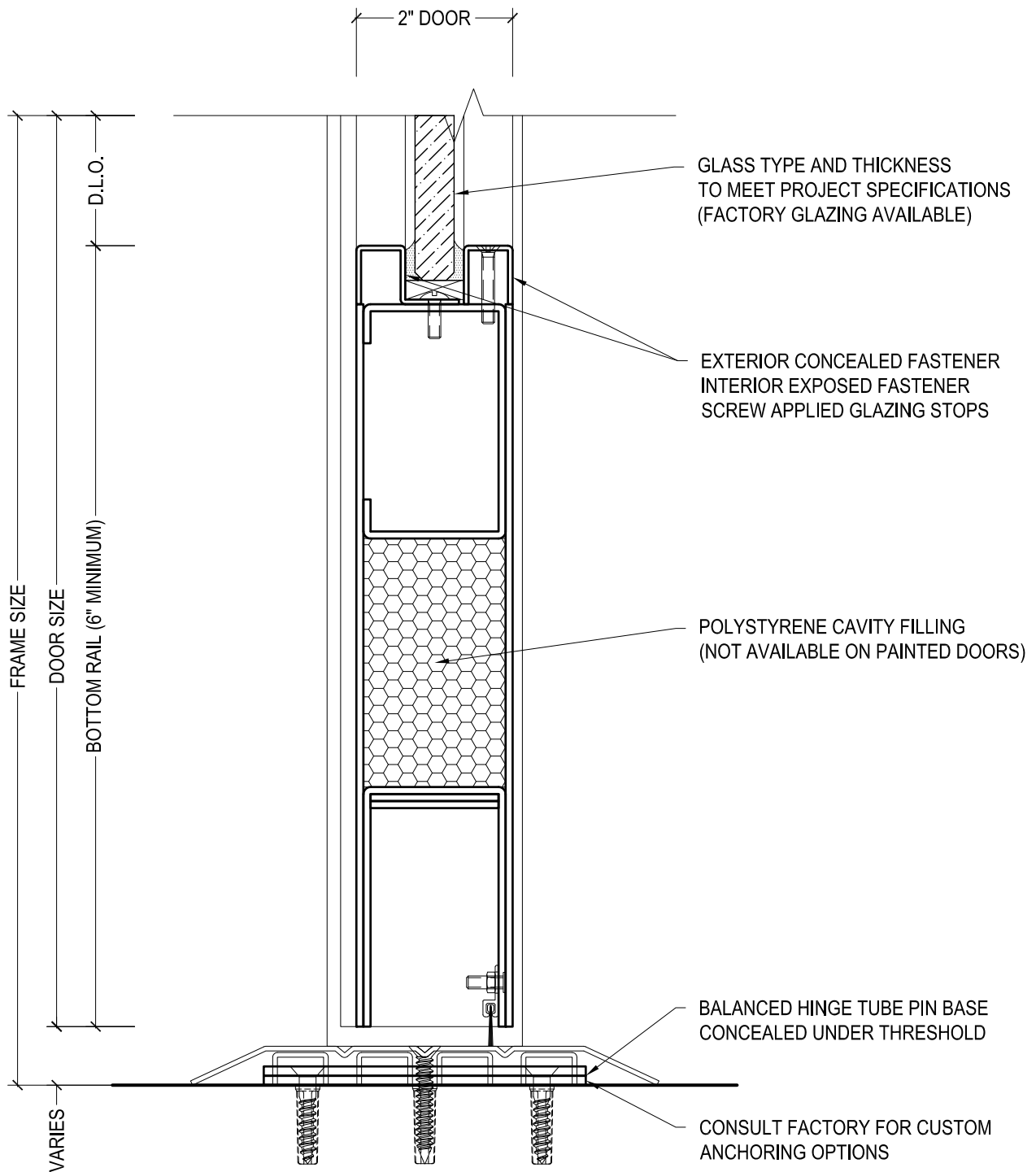
DAWSON DOORS

| | | | |
|--------------|---|---------------|-------------|
| DRAWN BY: | AG | DRAWING DATE: | 12/2/19 |
| SET #: | 002-BAL | DRAWING #: | 2BETRAS50RM |
| DESCRIPTION: | HEADER / TOP RAIL - STANDARD SERIES BALANCED DOORS ON MANUAL DOOR LEAF WITH 6" TALL HEADER FOR EXPOSED HINGE TUBE | | |



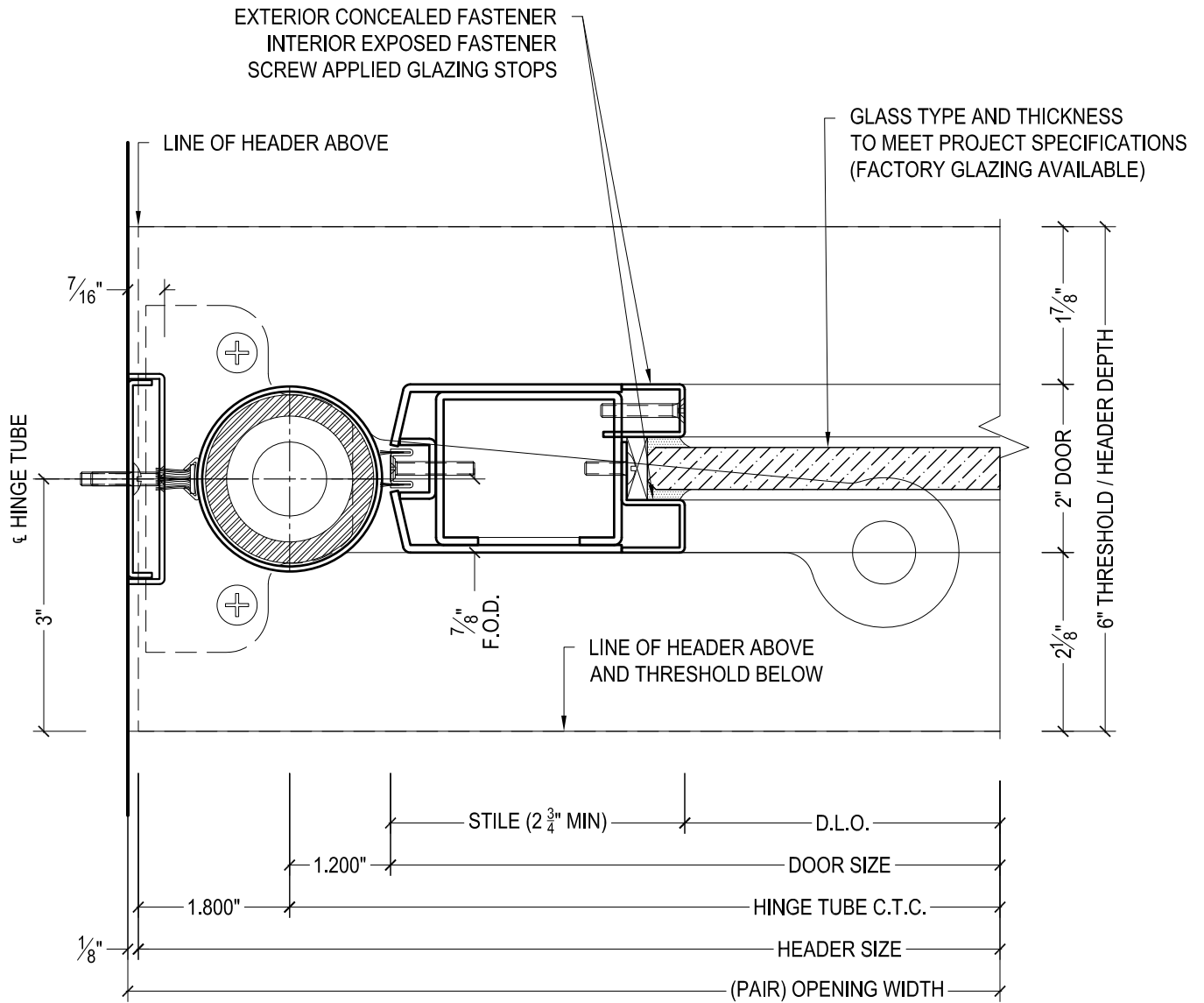
DAWSON DOORS

| | | | |
|--------------|--|---------------|-------------|
| DRAWN BY: | AG | DRAWING DATE: | 12/2/19 |
| SET #: | 002-BAL | DRAWING #: | 2BETRAS50RA |
| DESCRIPTION: | HEADER / TOP RAIL - STANDARD SERIES BALANCED DOORS ON AUTO OPERATED DOOR LEAF WITH EXPOSED HINGE TUBES | | |

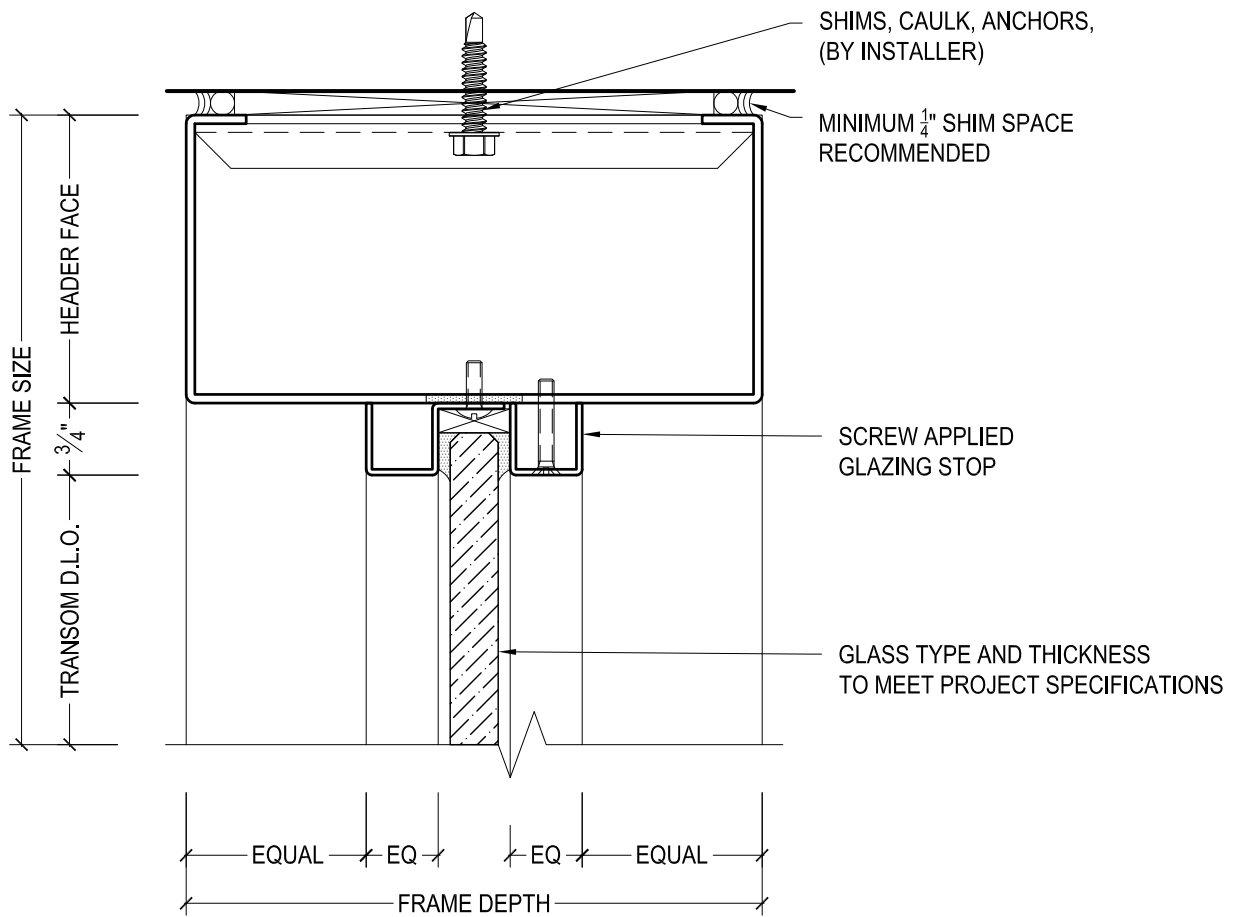


DAWSON DOORS

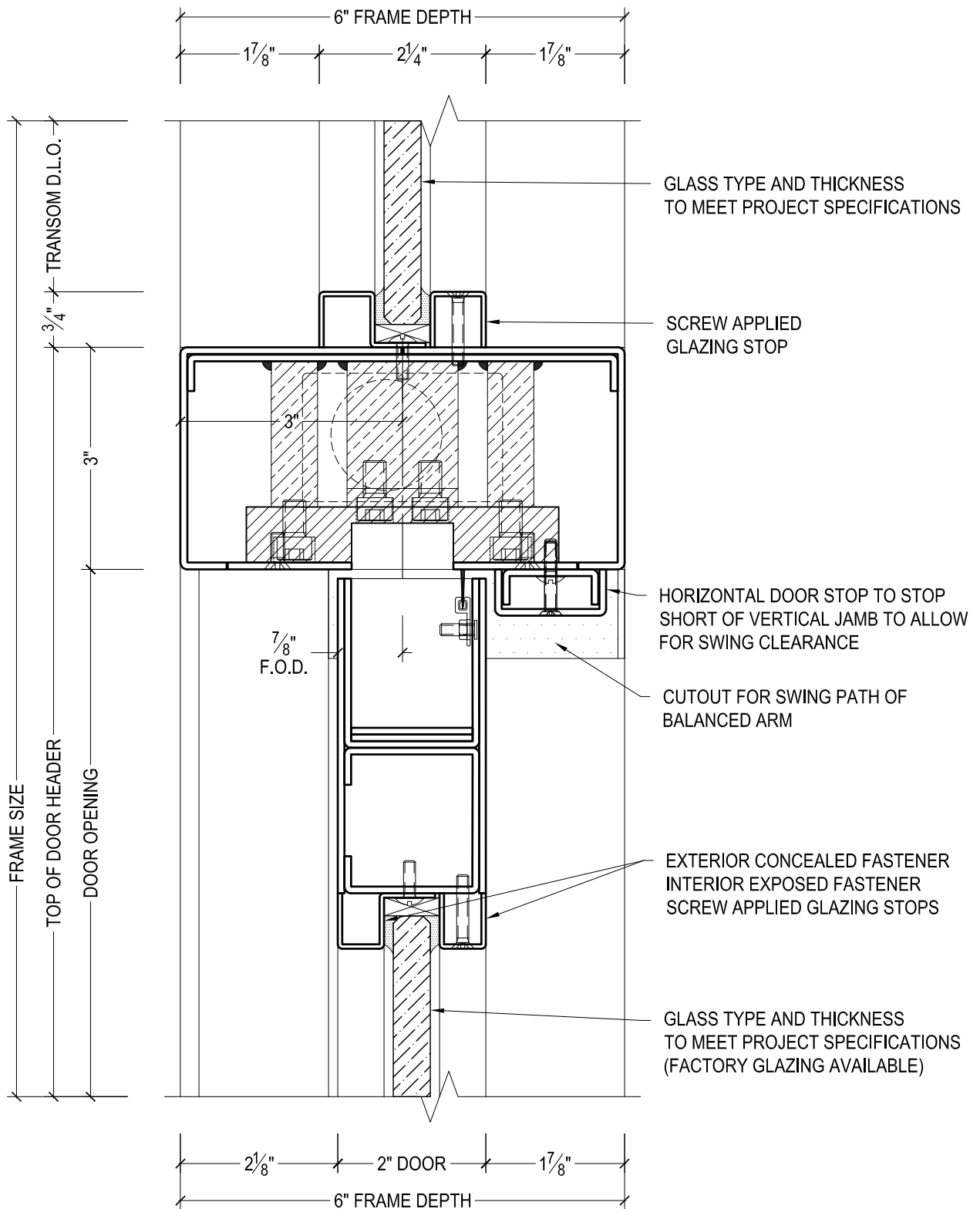
| | | | |
|--------------|---|---------------|-----------|
| DRAWN BY: | AG | DRAWING DATE: | 12/2/19 |
| SET #: | 002-BAL | DRAWING #: | 2BEBHAS50 |
| DESCRIPTION: | BOTTOM RAIL - STANDARD SERIES BALANCED DOORS, DAWSON 300 SERIES THRESHOLD SHOWN TO CONCEAL HINGE TUBE BASE - 1/2" THRESHOLD - | | |



| | | | |
|--------------|--|---------------|-----------|
| DRAWN BY: | AG | DRAWING DATE: | 12/2/19 |
| SET #: | 002-BAL | DRAWING #: | 2BEPSAS50 |
| DESCRIPTION: | PIVOT STILE - STANDARD SERIES BALANCED DOORS WITH EXPOSED HINGE TUBE | | |

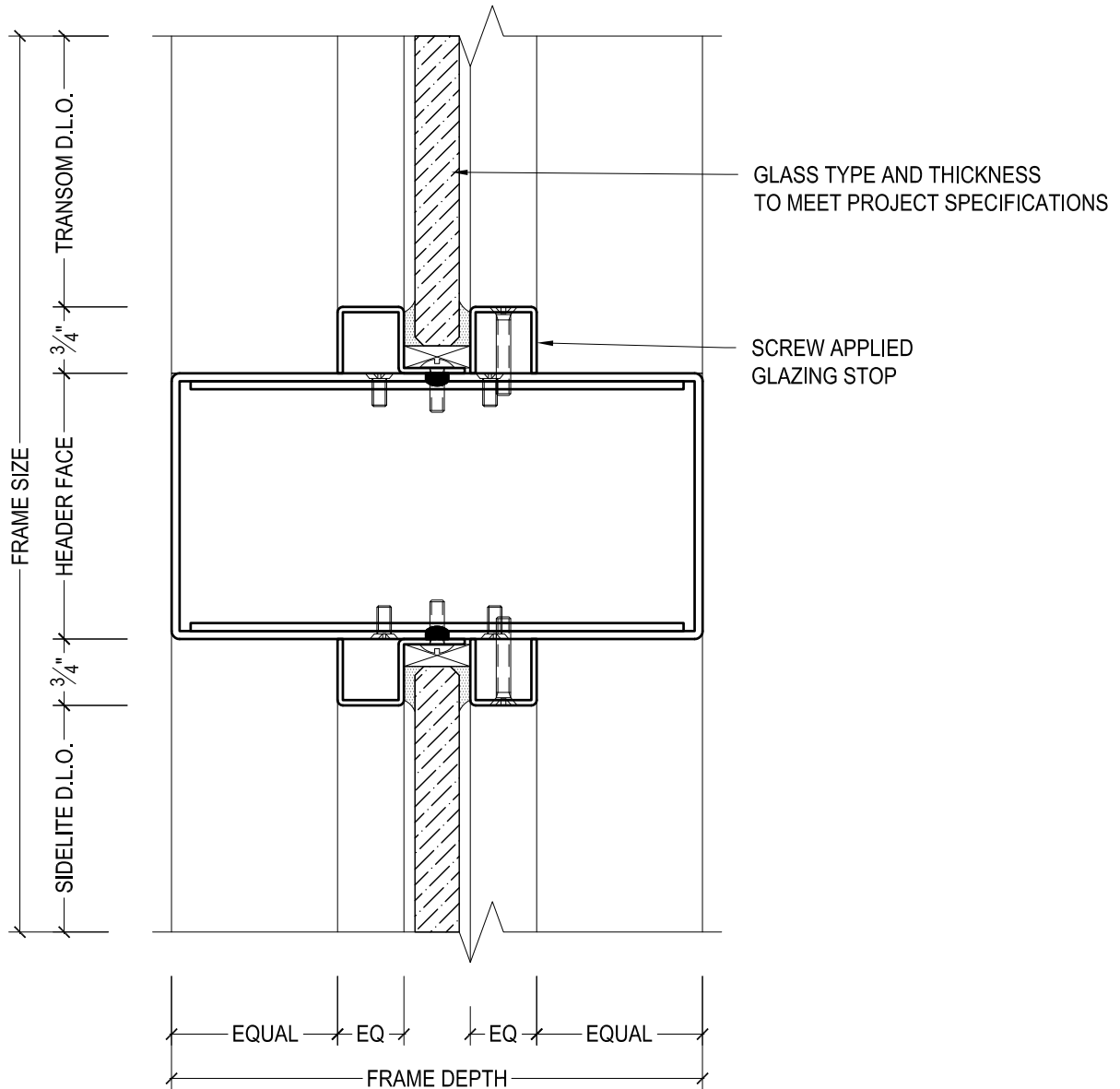


| | | | |
|--------------|-----------------------------------|---------------|-----------|
| DRAWN BY: | AG | DRAWING DATE: | 12/2/19 |
| SET #: | 002-BAL | DRAWING #: | FXXSHAS50 |
| DESCRIPTION: | TRANSOM HEADER WITH APPLIED STOPS | | |



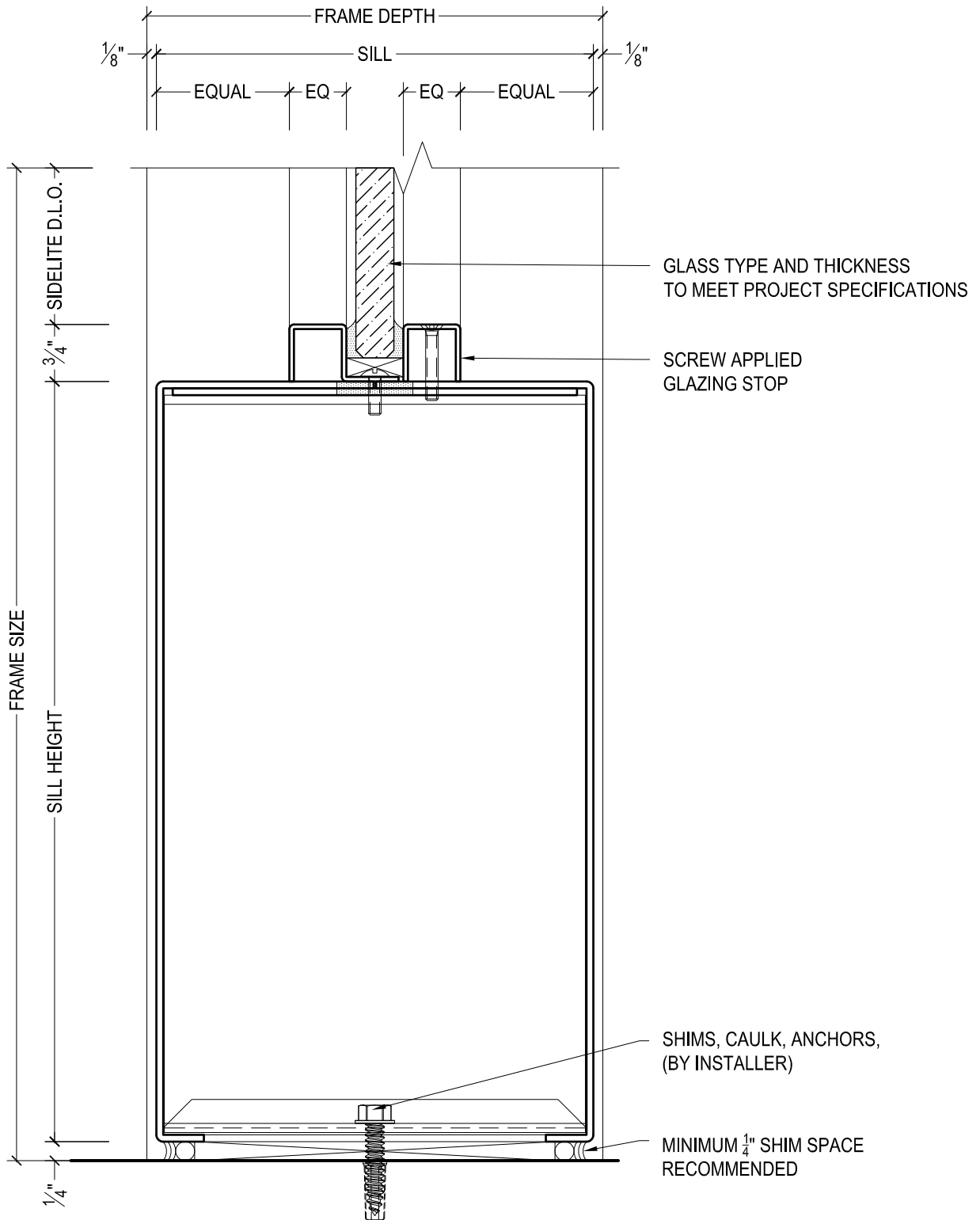
DAWSON DOORS

| | | | |
|--------------|--|---------------|-----------|
| DRAWN BY: | AG | DRAWING DATE: | 12/2/19 |
| SET #: | 002-BAL | DRAWING #: | 2BFTHAS50 |
| DESCRIPTION: | HEADER / TOP RAIL - STANDARD SERIES BALANCED DOORS WITH TRANSOM ABOVE WITH APPLIED STOPS | | |



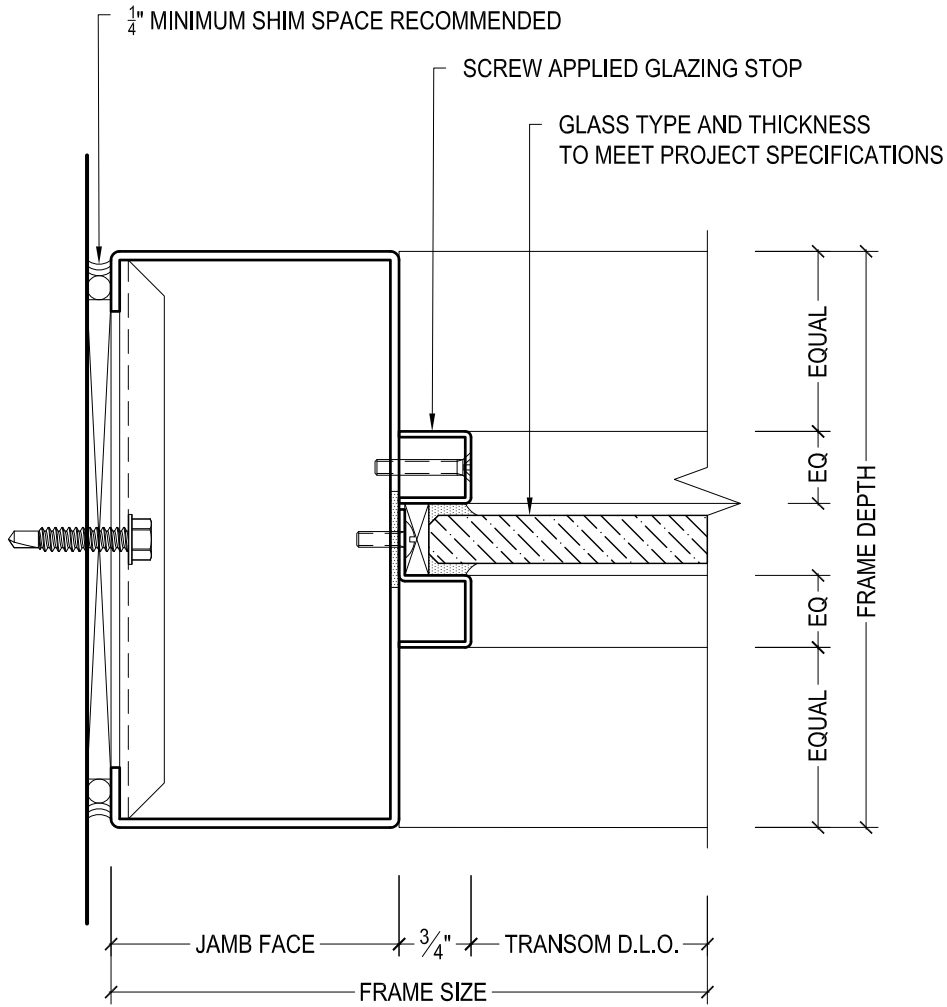
DAWSON DOORS

| | | | |
|--------------|---|---------------|-----------|
| DRAWN BY: | AG | DRAWING DATE: | 12/2/19 |
| SET #: | 002-BAL | DRAWING #: | FXXSCAS50 |
| DESCRIPTION: | SIDELITE BELOW & TRANSOM ABOVE WITH APPLIED STOPS | | |



DAWSON DOORS

| | | | |
|--------------|----------------------------------|---------------|-----------|
| DRAWN BY: | AG | DRAWING DATE: | 12/2/19 |
| SET #: | 002-BAL | DRAWING #: | FXXSSAS50 |
| DESCRIPTION: | SIDELITE SILL WITH APPLIED STOPS | | |

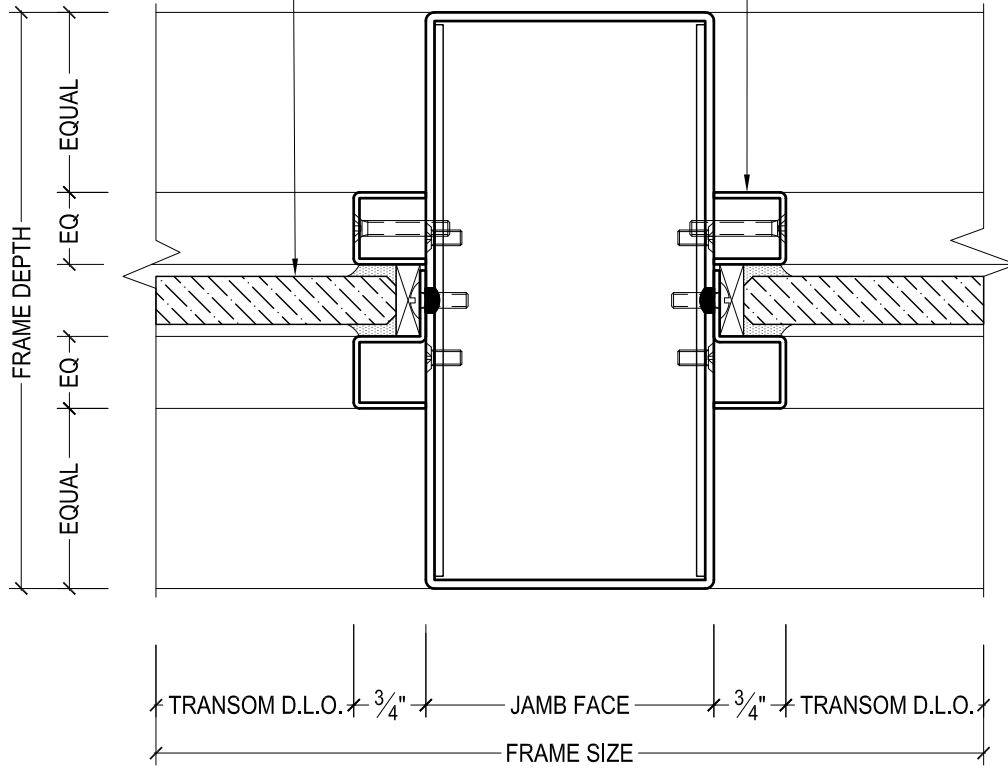


DAWSON DOORS

| | | | |
|--------------|---------------------------------|---------------|-----------|
| DRAWN BY: | AG | DRAWING DATE: | 12/2/19 |
| SET #: | 002-BAL | DRAWING #: | FXXTWAS50 |
| DESCRIPTION: | TRANSOM JAMB WITH APPLIED STOPS | | |

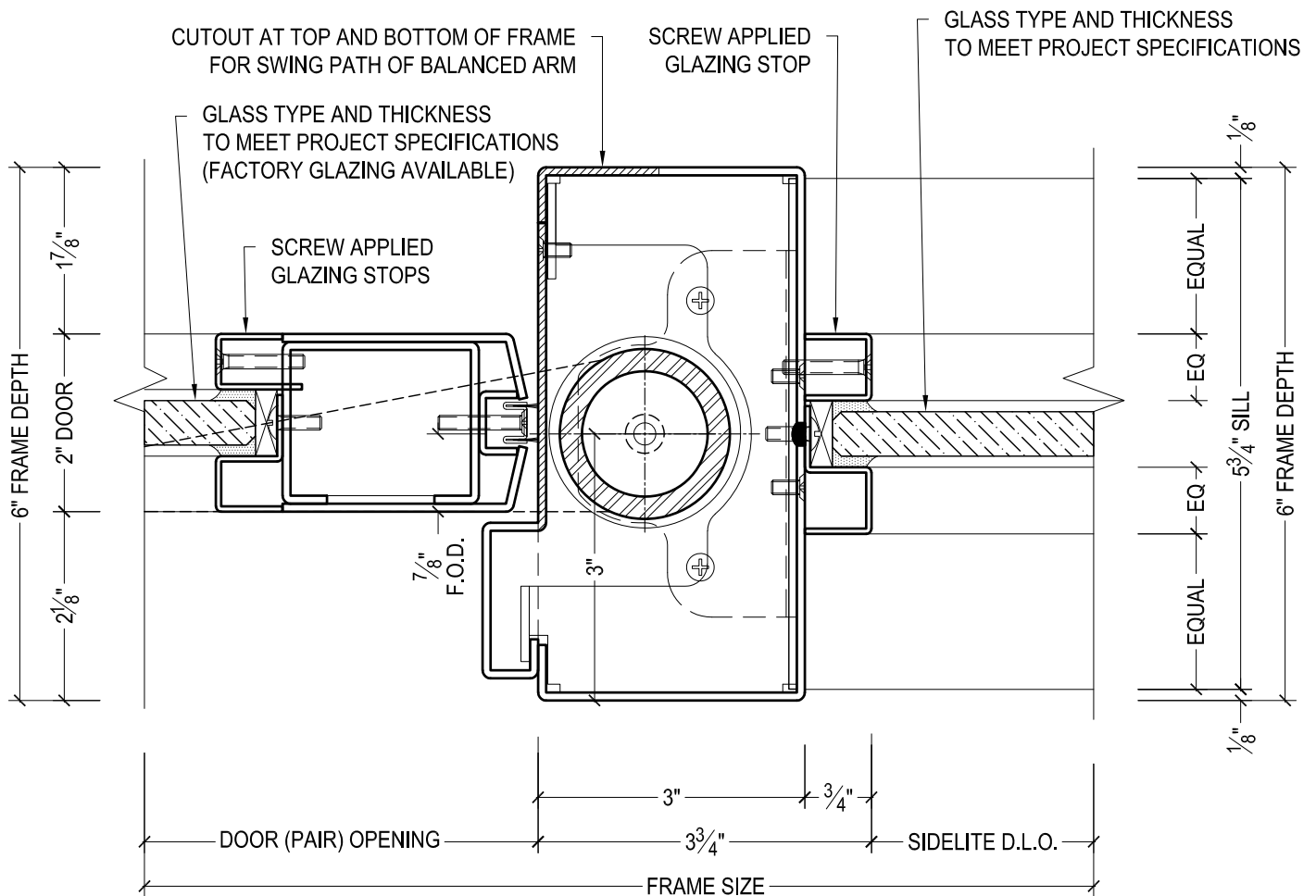
GLASS TYPE AND THICKNESS
TO MEET PROJECT SPECIFICATIONS

SCREW APPLIED
GLAZING STOP



825 ALLEN ST • JAMESTOWN, NY 14701 • (716) 664-3811 • WWW.DAWSONDOORS.COM

| | | | |
|--------------|------------------------------------|---------------|-----------|
| DRAWN BY: | AG | DRAWING DATE: | 12/2/19 |
| SET #: | 002-BAL | DRAWING #: | FXXTVAS50 |
| DESCRIPTION: | TRANSOM MULLION WITH APPLIED STOPS | | |



DAWSON DOORS

825 ALLEN ST • JAMESTOWN, NY 14701 • (716) 664-3811 • WWW.DAWSONDOORS.COM

| | | | |
|--------------|---|---------------|-----------|
| DRAWN BY: | AG | DRAWING DATE: | 12/2/19 |
| SET #: | 002-BAL | DRAWING #: | 2BFSMAS50 |
| DESCRIPTION: | PIVOT STILE / JAMB / SIDELITE MULLION - STANDARD SERIES BALANCED DOORS WITH FIXED FLAT GLAZING. JAMB TREATED AS SIDELITE MULLION. | | |